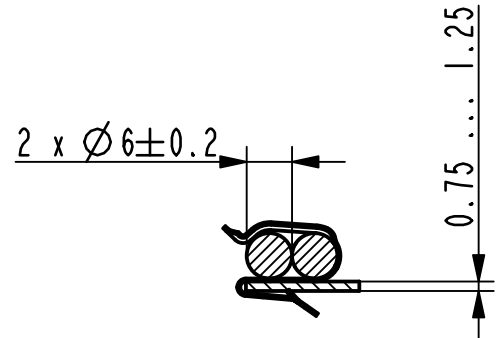
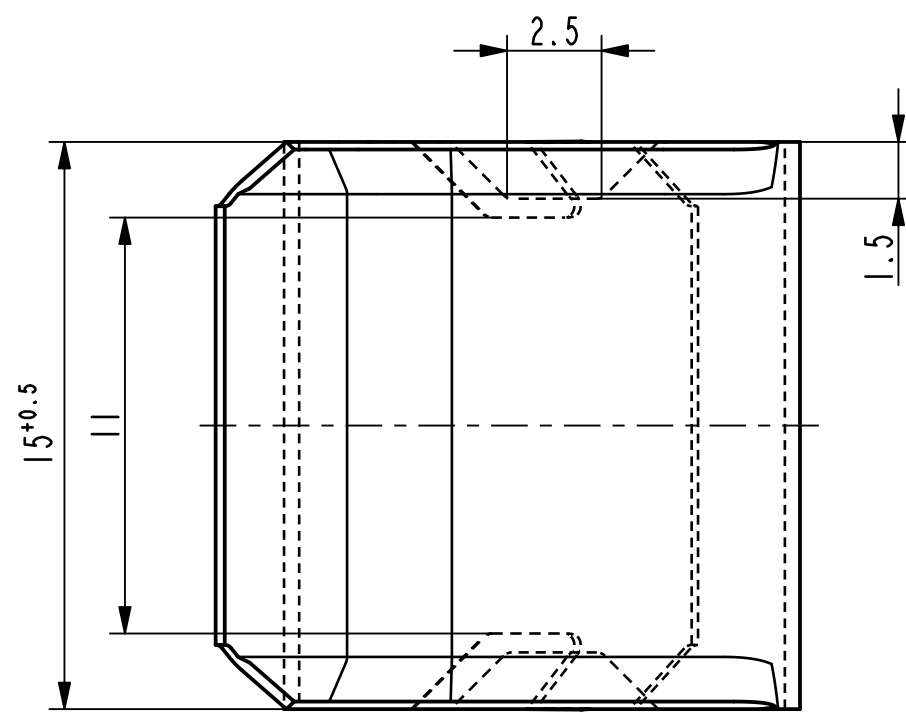


Isometrische Ansicht /  
isometric view  
2:1



Einbausituation /  
assembly situation  
1:1



Vor Auslegung einer automatisierten Verarbeitung des Teils sollte Ruecksprache mit Fa. ARaymond gehalten werden.  
Fully automatic processing of the part requires prior consultation with ARaymond.

-	-	-	-	-	-
-	-	-	-	-	-
-	-	-	-	-	-
-	-	-	-	-	-
-	-	-	-	-	-
-	-	-	-	-	-
-	-	-	-	-	-
-	-	-	-	-	-
-	-	-	-	-	-
-	-	-	-	-	-

Ca	lx	Zeichnung ueberarbeitet nach AR-Gruppenstandard, Teil unveraendert	07.05.12	mj
-	-	Oberflaechenvariante entfernt (3300) u. geaendert 3250 war 3100	-	-

**ARaymond**  
A RAYMOND GmbH & Co.KG

Teichstrasse 57  
Germany - 79511 Loerrach  
Phone +49 (0) 7621 174-0  
Fax +49 (0) 7621 174-225

Bei Verstaendnisproblemen beantragen Sie bitte beim Absender die deutsche Fassung vor jeder Anwendung.  
"CONDITIONS OF USE"  
This drawing and all information (the "Drawing") disclosed are the exclusive property of ARaymond. By using this Drawing the Addressee acknowledges and accepts that this Drawing (1) is covered by ARaymond' intellectual property rights or know-how and (2) is provided under the following conditions who represent a Deposit Agreement. This Drawing is for Addressee' internal use only limited to its estimation. Without prior written consent of ARaymond, no permission or rights for any purpose, is hereby granted, such as, without any limitation, (1) the copy, in part or entirely, (2) and/or the presentation, in part or entirely, to any other third party outside the Addressee' company or in the company but with no interest (3) and/or the distribution of the Drawing, in part or entirely, in any medium (4) and/or the creation of any derivative work. In case of breach of these conditions, Addressee shall indemnify ARaymond from and against all damages (compensatory or consequential), costs, expenses and charges, caused or arising out of or attributable to its willful misconduct, fraud, negligence, infringement of ARaymond' intellectual property rights. If the Addressee does not accept these conditions, please notify ARaymond' sender immediately.

Intellectual property rights	vorbehalten / all rights reserved		Classification code	BACD-
Ersatz fuer/ substitute for	012744_c_01/C/13.06.2005	Entw.Ref./ dev.ref.	Projekt-Nr./ project no.	44217

Masstab/ scale	Format	Allgemeintoleranz/ general tolerance	Datum/ date	07.05.2012
5:1	A3	±0.3 / ±5°	Erstellt von/ prepared by	M. Junge

Projektion / projection	ALL DIMENSIONS ARE IN MILLIMETERS	Freigegeben/ approved	20120521062140	
	Bleedicke/ mat. thickness DIN EN 10140	0.40	Volumen/ volume (mm³)	261.6
			Gewicht/ weight (g)	2.1

Oberfl./ finish	verzinkt / passiviert farblos zinc plated / passivated colourless	Oberfl. Code/ finish code	Ca 3250
-----------------	--	---------------------------	------------

Werkstoffbehandl./ material treatment	zwischenstufenverguetet / austempered 435 ... 535 HV 5
---------------------------------------	---

Werkstoff/ material	C67S DIN EN 10132-4	Mat. code	1000
---------------------	---------------------	-----------	------

Benennung/  
title  
Leitungsbefestiger  
cable fastener

Teil-Nr./ part no.	012744-0-01	Drawing type	C:Customer
--------------------	-------------	--------------	------------

Kundenteile-Nr. / customer part no.	-	Blatt / sheet	1 / 1
CAD system & version	ProE WF4	Dateiname / filename	012744-0C00

012744-0-03	metallhaltige Korrosionsschutzbeschichtung, Farbe schwarz metallic corrosion protection coated, colour black	5451
Teil-Nr. / part no.	Oberflaeche / Farbe / finish / colour	Oberfl. Code/ finish code
Ausfuehrung / Execution		