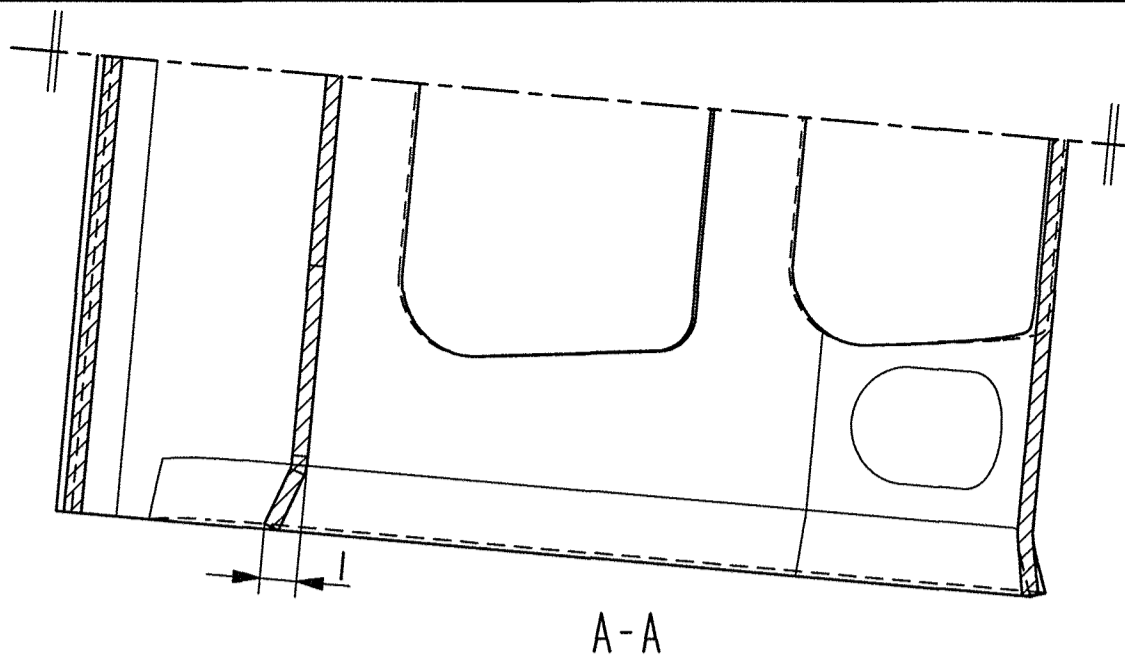
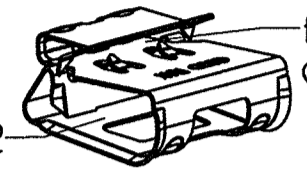


Vor Auslegung einer automatisierten Verarbeitung des Teils sollte Ruecksprache mit Fa. A.Raymond gehalten werden. Fully automatic processing of the part requires prior consultation with A.Raymond GmbH.

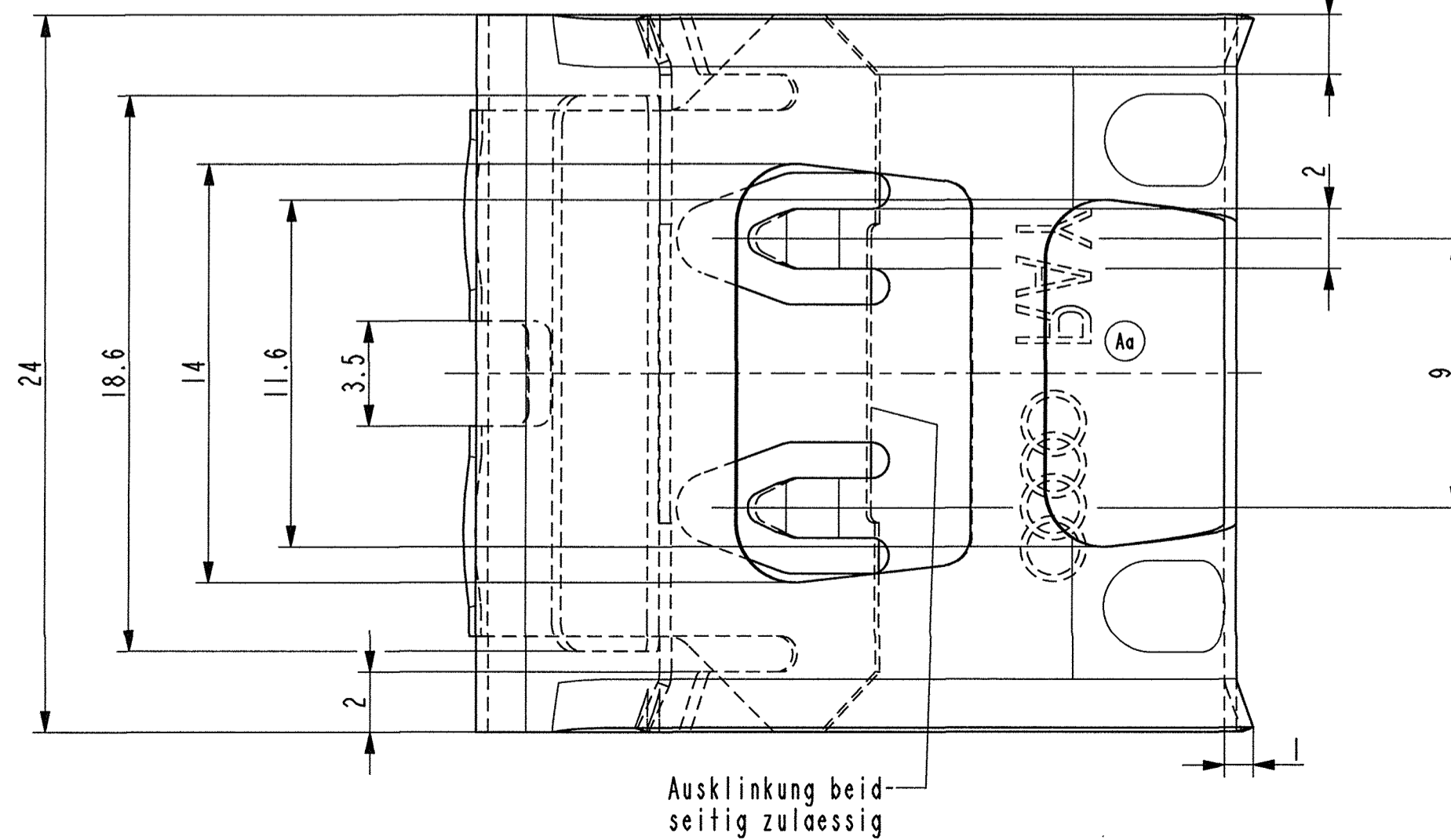
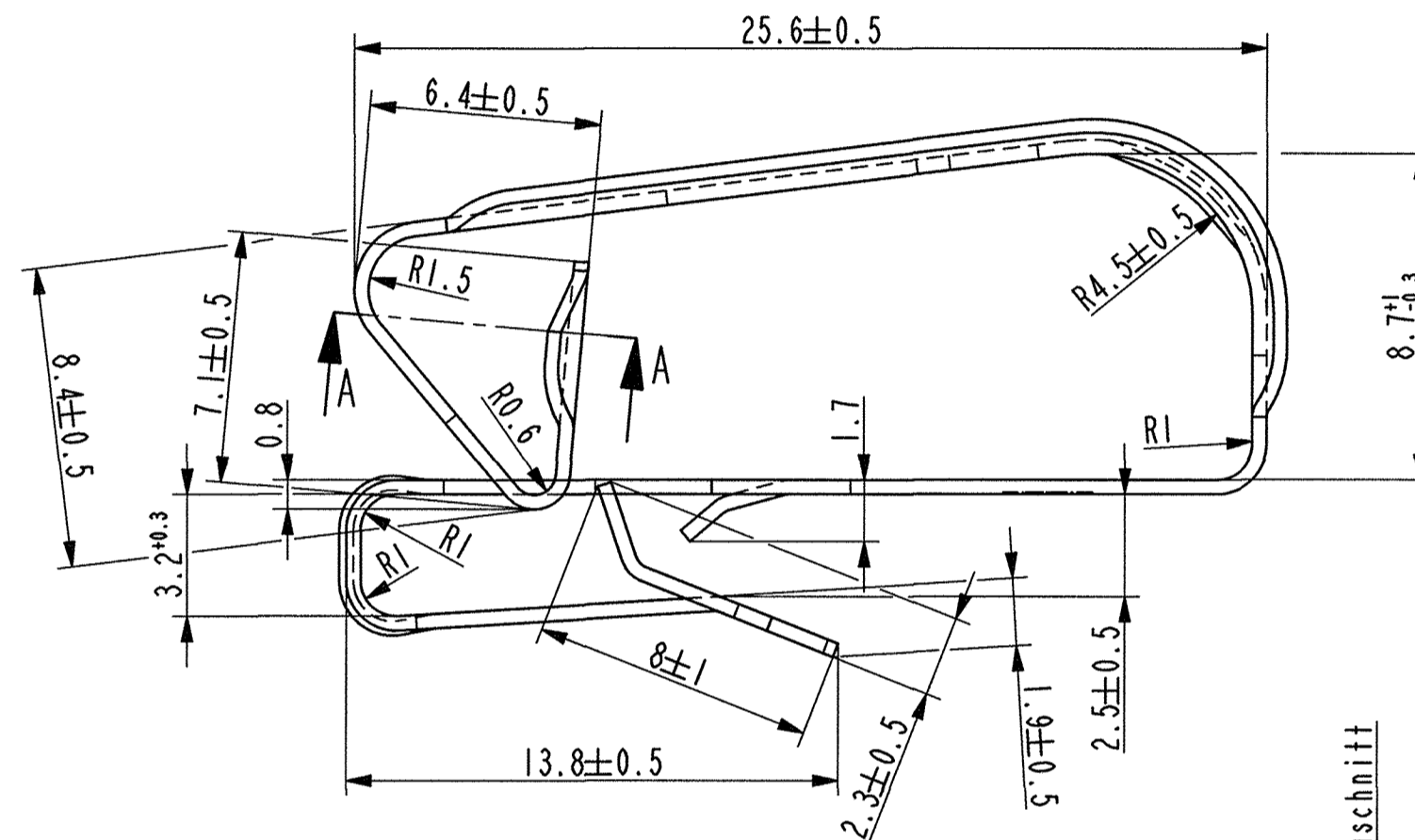


Kennzeichnung: VW 105 14 - D  
 Markenzeichen VW 105 14 - D  
 Hersteller-Code VW 105 40 RAY

fuer Befestigungs-  
 dicke 0.7...3  
 fuer Leitung  $\varnothing$  10...12



1:1



nicht bemaste Biegeinnenradien R0.5

-	-	-	-	-
-	-	-	-	-
-	-	-	-	-
-	-	-	-	-
-	-	-	-	-
-	-	-	-	-
-	-	-	-	-
-	-	-	-	-
-	-	-	-	-
-	-	-	-	-
-	-	-	-	-
-	-	-	-	-
-	-	-	-	-
-	-	-	-	-
-	-	-	-	-
-	-	-	-	-
-	-	-	-	-
-	-	-	-	-
-	-	-	-	-
-	-	-	-	-
-	-	-	-	-
-	-	-	-	-
Ao	Ix	Indexreform, Art.-Nr. gem. SAP geaendert,	28.02.08	Ru
-	-	Kennzeichnung hinzug.	-	-

**A. Raymond**  
 GmbH & Co., KG

Format DIN A2  
 SPEZIALBEFESTIGUNGSSYSTEME WELTWEIT / ENGINEERED FASTENERS WORLDWIDE

Bei Verstaendnisproblemen beantragen Sie bitte beim Absender die deutsche Fassung vor jeder Anwendung. "CONDITIONS OF USE"

This drawing and all information (the "Drawing") disclosed are the exclusive property of A.Raymond. By using this Drawing the Addressee acknowledge and accept that this Drawing (1) is covered by A.Raymond' intellectual property rights or know-how and (2) is provided under the following conditions who represent a Deposit Agreement. This Drawing is for Addressee' internal use only limited to its estimation. Without prior written consent of A.Raymond, no permission or rights for any purpose, is hereby granted, such as, without any limitation, (a) the copy, in part or entirely (2) and/or the presentation, in part or entirely, to any other third party outside the Addressee' company or in the company but with no interest (3) and/or the distribution of the Drawing, in part or entirely, in any medium (4) and/or the creation of any derivative work. In case of breach of these conditions, Addressee shall indemnify A.Raymond from and against all damages (compensatory or consequential), costs, expenses and charges, caused or arising out of or attributable to its willful misconduct, fraud, negligence, infringement of A.Raymond' intellectual property rights. If the Addressee does not accept these conditions, please notify A.Raymond' sender immediately.

Detailname/	CAD-PE: 017191_C-01	au		
File name/				
Ersatz fuer/	Art. 17191	Proj.-Nr./	EM 9739	RASCH-
Substitute for	Ind.3 v.30.04.1999	Proj.-No.	-	Code
		Vol.(mm³)	-	Code
		Weight (g)	-	

Schutzrechte/	vorbehalten / all rights reserved			
Patent rights				
Gepr./	F.-gepr./	Q.-gepr./	S.-gepr./	
App.	Produktion	Quality	Patent app.	
Maßstab/	Allgen.Tol. wenn nicht anders angegeben/		Datum/	
Scale	General tol. unless otherwise specified		Date	
5:1	±0.3 / ±5°		28.02.2008	
		Gez./	Ruzicka	
		Drawn		

Oberflaechenbehandlg./  
 Finish verzinkt/schwarzchromatieret Kennzahl/  
 Code number 3300

Werkstoffbehandlg./  
 Material treatment zwischenstufenverguetet  
 435 ... 535 HV 5 Blechdicke/  
 Met.Thickn. 0.4  
 DIN EN 10 140

Werkstoff/  
 Material C67S DIN EN 10 132-4 Met.-Code  
 1000

Benennung/  
 Partname Leitungsbefestiger

017191 002	metallh. Korrosionsschutz- beschichtung, Farbe schwarz/GZ	5453
Teil-Nr. / Part-No.	Oberflaeche / Farbe / Finish / colour	Kennzahl / Code
Ausfuehrung / Execution		

Teil-Nr. / Part-No.	017191 001	C
------------------------	------------	---