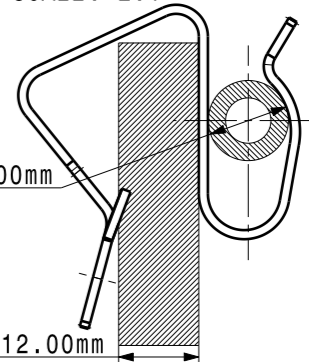


Variant	
01	Zn 10µ min + Cr3 gris/grey + FOM Protolux3000+ Ecotri Gris/grey+ Corrosil501 BS RR:600H
02	BRUT DE TREMPÉ
11	ZnFL Zn-Al 8µ min Magni 3.0 gris/grey BS RR:720H



Une consultation préalable de A.Raymond SARL est nécessaire pour toute mise en place de la pièce en automatique.
Automatic processing of the part requires prior consultation with A.Raymond SARL.

EXEMPLE D'UTILISATION / USE CONDITION
ECHELLE / SCALE: 2:1



TUBE/PIPE: Ø6.00 A/TO Ø9.00mm

SUPPORT EP/TH: 7.00 A/TO 12.00mm

ARaymond

113 cours Berriat BP 157
France - 38019 Grenoble cedex 1
Tel +33 (0) 4 76 33 49 49
Fax +33 (0) 4 76 78 20 50

Si problème de compréhension, merci de demander la version française à ARaymond avant toute utilisation.

"CONDITIONS OF USE"

This drawing and all information (the "Drawings") disclosed are the exclusive property of A.Raymond. By using this Drawing the Addressee acknowledges and accepts that this Drawing (1) is covered by A.Raymond intellectual property rights or know-how and (2) is provided under the following conditions who represent a Deposit Agreement. This Drawing is for Addressee internal use only limited to its estimation. Without prior written consent of A.Raymond, no permission or rights for any purpose, is hereby granted, such as, without any limitation, (1) the copy, in part or entirely (2) and/or the presentation, in part or entirely, to any other third party outside the Addressee company or in the company but with no interest (3) and/or the distribution of the Drawings, in part or entirely, in any medium (4) and/or the creation of any derivative work. In case of breach of these conditions, Addressee shall indemnify A.Raymond from and against all damages (compensatory or consequential), costs, expenses and charges, caused or arising out of or attributable to its willful misconduct, fraud, negligence, infringement of A.Raymond Intellectual Property rights. If the Addressee does not accept these conditions, please notify A.Raymond sender immediately.

Brevets / Patent rights		Classification code BACA-	
N° Projet / Project No.	Origine / Origin	Chef de projet / Project Manager PICAVET.C	
Echelle / scale 5:1	Format A3	Tolerance / General tolerance Dimension Angle ± 0.50 ± 5.00°	Date 13.06.1994
		Réalise / Prepared by PAULIN.G	
ALL DIMENSIONS ARE IN MILLIMETERS		Approuvé / Approved 20120119142837	Volume (mm³) 441,5
Epaisseur / Mat. thickness 0,60		Poids / Weight (g) 3,4	

Finition / finish
**Voir nomenclature
See parts list**

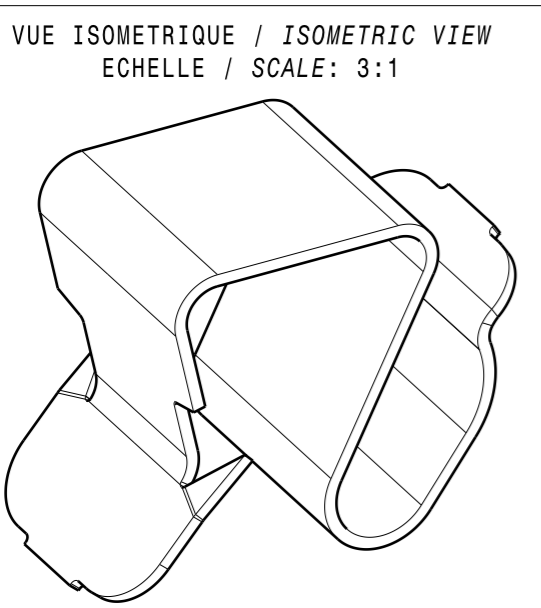
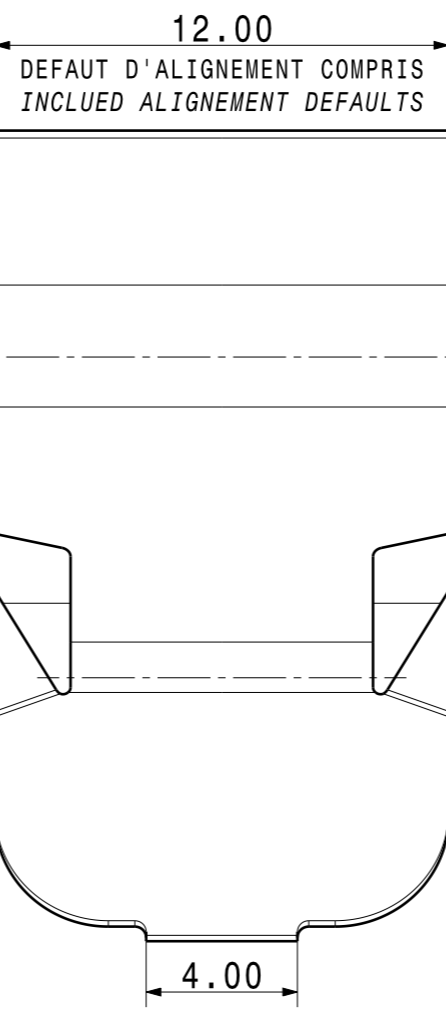
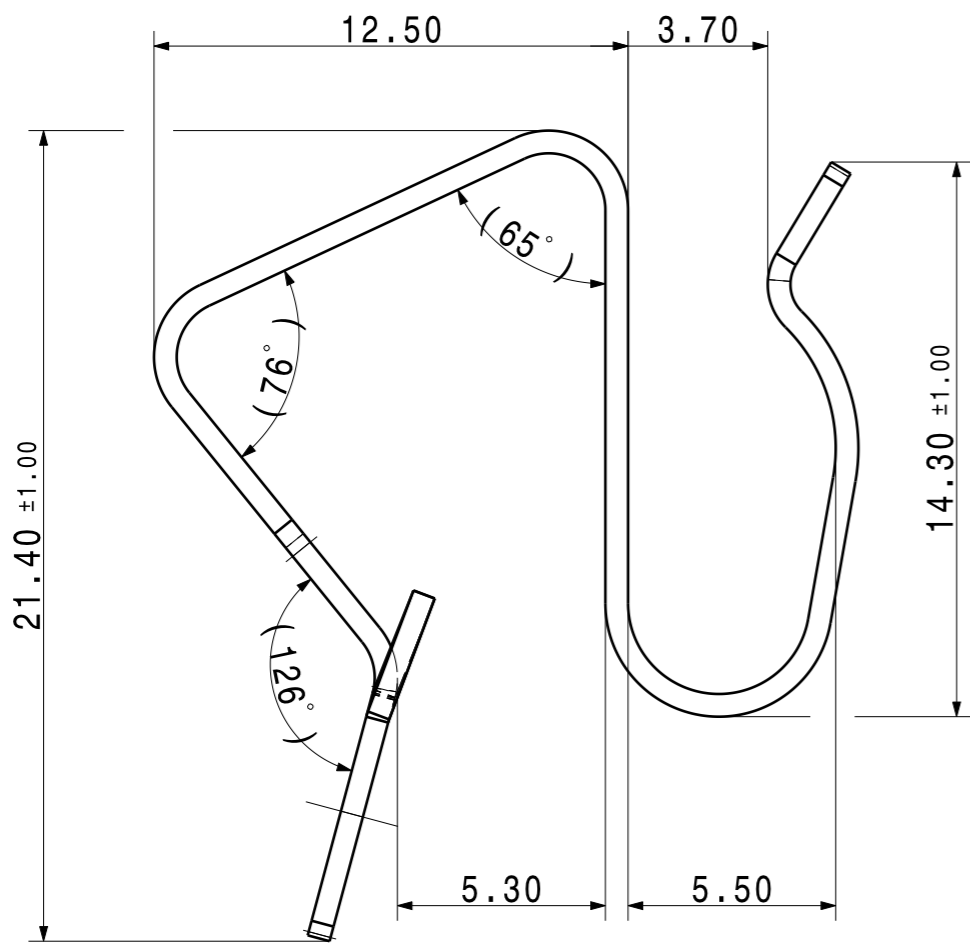
Traitement structural / Material treatment
**C67S CR
>0,5 : TTH.HR 30 N : 61,3 a 64,7 (42 a 46 HRC)**

Matière / Material
C67S-A

Libelle / Title
**Fixation en S
S shaped clip**

Reference / Part no.
055128-0-01

Drawing type
C:Customer



* A UTILISER UNIQUEMENT SUR TUBE PLASTIQUE OU METALLIQUE LISSE ET RIGIDE (EX: TUBE PVC EP: 1.50 MINI OU TUBE CUIVRE EP: 1.00 MINI)
* ONLY TO BE USED WITH SMOOTH AN RIGID PLASTIC OU METAL PIPES (EG: PVC PIPE THKS: 1.50 MINI OU COPPER PIPE THKS: 1.00 MINI)

Bf	Quant.	Indexe / revision description	Date	Name
-		UPDATED DRAWING	05.12.11	GPA

Ref. client / Customer part no.	Planche / Sheet 1/1
CAD system & version CATIA V5 R19 SP7	Nom fichier / File name 055128-0C01

VERIFIER L ECHELLE APRES PHOTOCOPIE / BEWARE SCALE AFTER COPY