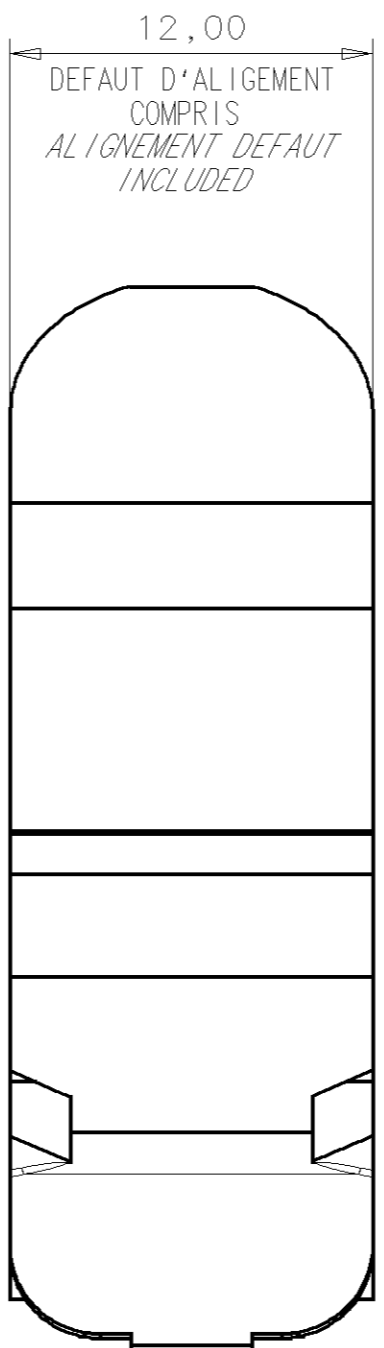
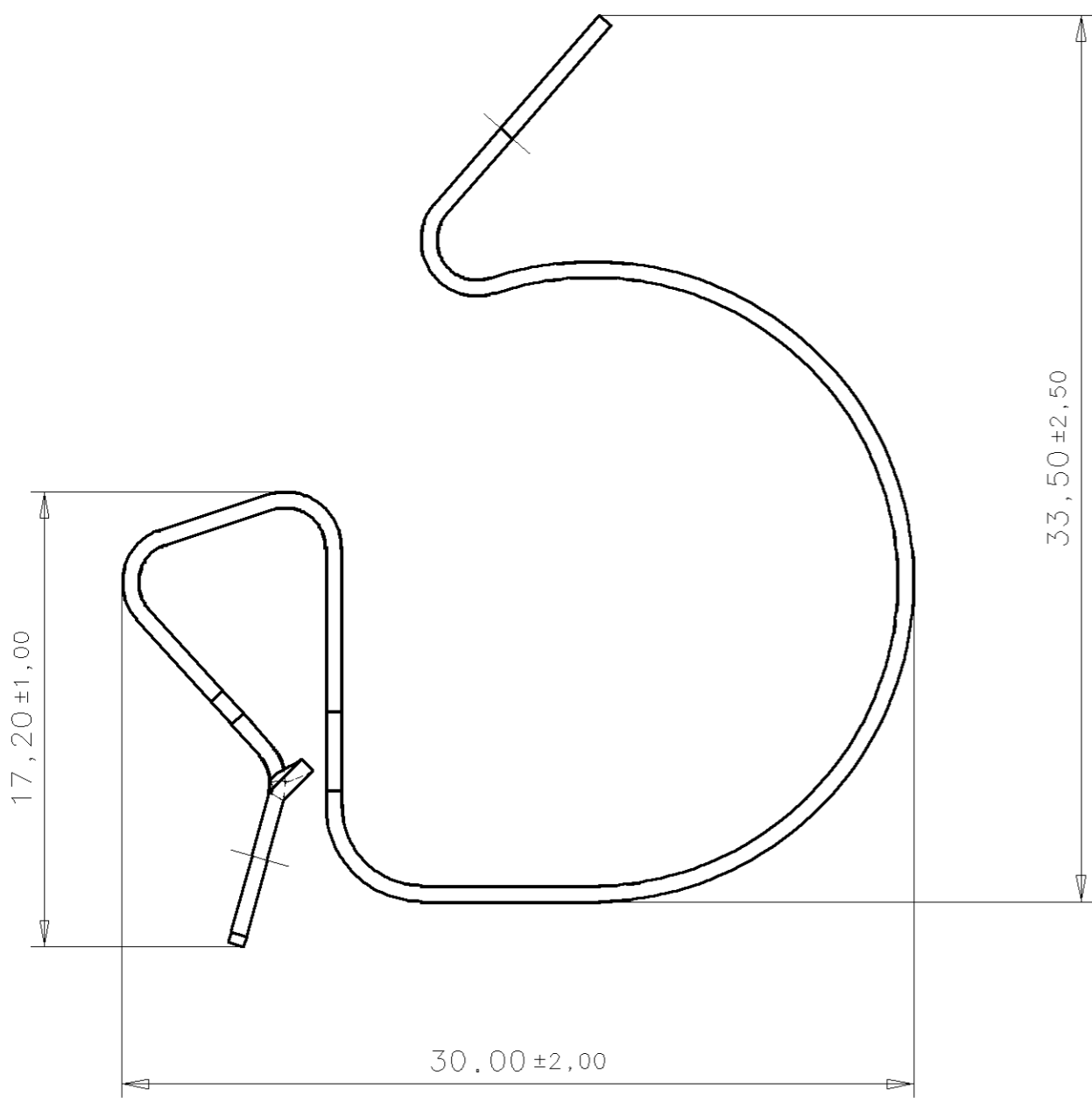
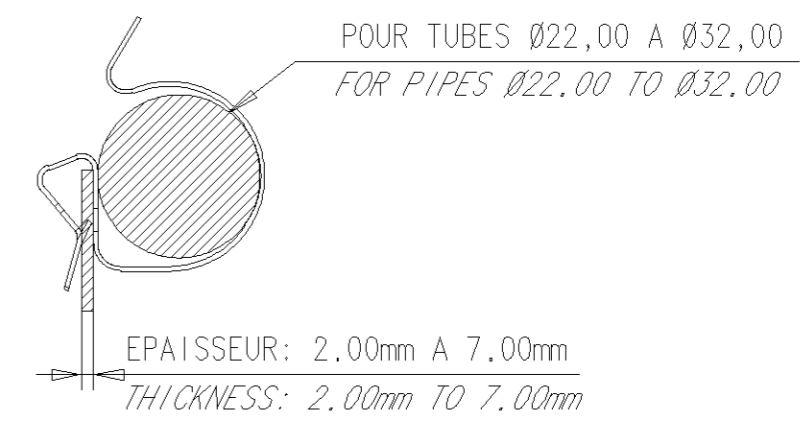


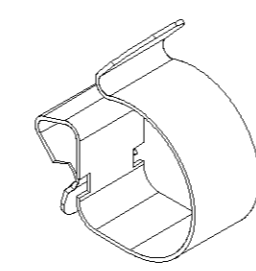
CONCEPTION ASSISTEE / COMPUTER AIDED DESIGN
 PAR ORDINATEUR / DESIGN
I-DEAS
 Version 10M3
 NE PAS MODIFIER CE / DO NOT MODIFY THIS
 PLAN MANUELLEMENT / DRAWING MANUALLY



EXEMPLE D'UTILISATION ECHELLE: 1:1
 USE CONDITION SCALE: 1:1



VUE ISOMETRIQUE ECHELLE: 1:1
 ISOMETRIC VIEW SCALE: 1:1



Bf	--	MISE A JOUR VARIANTE 001 / B.E.D	25-09-09	B V
Be	--	MISE A JOUR PLAN / B.E.D	09-07-09	B V
Bd	--	Modif. tolérance cote 30	21/11/06	GG
IND	Nb DIM	DESCRIPTIONS / DESIGNATIONS	DATE	VISAS

If the addressee does not accept these conditions, please notify A.Raymond sender immediately.
Si problème de compréhension, merci de demander la version française à A.Raymond avant toute utilisation.
 This drawing and all information (the "Drawing") disclosed are the exclusive property of A.Raymond.
 By using this Drawing the Addressee acknowledges and accepts that this Drawing (i) is covered by A.Raymond intellectual property rights or know-how, and, (ii) is provided under the following conditions who represent a Deposit Agreement. This Drawing is for Addressee' internal use only limited to its estimation. Without prior written consent of A.Raymond, no permission or rights for any purpose, is hereby granted, such as, without any limitation, (1) the copy, in part or entirely, (2) and/or the presentation, in part or entirely, to any other third party outside the Addressee' company or in the company but with no interest (3) and/or the distribution of the Drawing, in part or entirely, in any medium (4) and/or the creation of any derivative work. In case of breach of these conditions, Addressee shall indemnify A.Raymond from and against all damages (compensatory or consequential), costs, expenses and charges, caused or arising out of or attributable to its willful misconduct, fraud, negligence, infringement of A.Raymond' Intellectual Property rights.

FORMAT		SCALE/ECH	TH/EP(mm)	VOL(mm3)	WEIGHT/POIDS(g)	SHEET/PLANCHE	TOLERANCE dimension / angle	DATE
A3		4:1	0.60		5800		± 0.50 / 5	13-06-94

SURFACE TREATMENT OR COLOR / TRAITEMENT DE SURFACE OU COULEUR:
FOM+CrIII(XII)+Zn(10-20µm)(I) - (type Protolux 3000+Ecotri+Corrosil1501)

MATERIAL TREATMENT / TRAITEMENT STRUCTURAL: ACHIEVED/REALISE: **VIRGONA B**
TTH.HR 30 N : 61,3 a 64,7 (42 a 46 HRc)
 VISA:

MATERIAL / MATIERE: APPROVED/APPROUVE: **AILHAS F**
Acier C675 - A (recuit)
 VISA:

TITLE / LIBELLE: **CLIP POUR CABLE**
CABLE CLIP
 PATENTS / BREVETS:

CUSTOMER DATA / REF. CLIENT:
 NUMBER / NUMERO: **055133 .001**

113, cours Berriat .BP 157 .38019 Grenoble cedex 1 France ; Tel 04 76 33 49 49 ; Fax 04 76 48 20 50

VERIFIER L ECHELLE APRES PHOTOCOPIE / BEWARE SCALE AFTER COPY

<http://www.cergy-vis.fr>

ET SI ON PARLAIT SERVICE