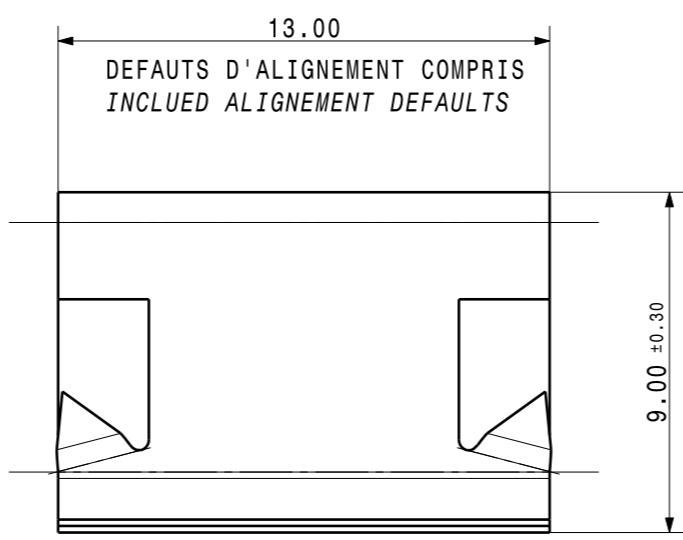
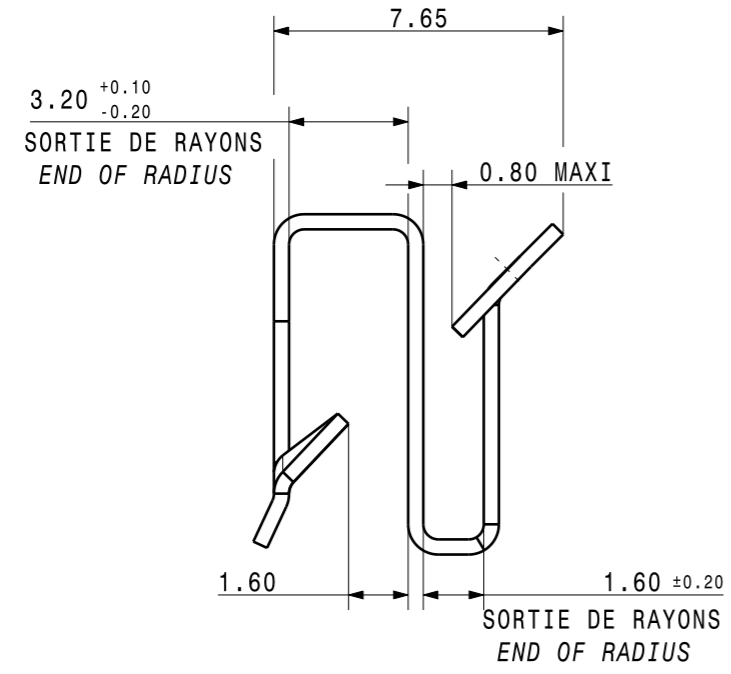
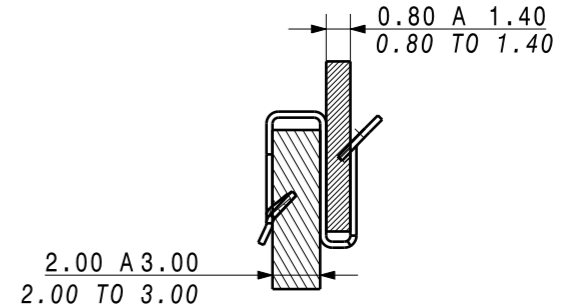


Variant	Finition / Finishes
01	PHO + oil MKR5 gris/grey BS RR:20H
02	Phosphate grey
03	BRUT DE TREMPE
04	ZnNi(12-15%[Ni])8μ min + Cr3 gris/grey + FOM ProtedurNi75+ Ecotri Gris/grey +Corrosil501 BS RR:720H



Une consultation préalable de A.Raymond SARL est nécessaire pour toute mise en place de la pièce en automatique.
Automatic processing of the part requires prior consultation with A.Raymond SARL.

CONDITIONS D'UTILISATION ECHELLE 2:1
USE CONDITIONS SCALE 2:1



ARaymond
113 cours Berriat BP 157
France - 38019 Grenoble cedex 1
Tel +33 (0) 4 76 33 49 49
Fax +33 (0) 4 76 78 20 50

Si problème de compréhension, merci de demander la version française à ARaymond avant toute utilisation.
"CONDITIONS OF USE"
This drawing and all information (the "Drawings") disclosed are the exclusive property of A.Raymond. By using this Drawing the Addressee acknowledges and accepts that this Drawing (1) is covered by A.Raymond intellectual property rights or know-how and (2) is provided under the following conditions who represent a Deposit Agreement. This Drawing is for Addressee internal use only limited to its estimation. Without prior written consent of A.Raymond, no permission or rights for any purpose, is hereby granted, such as, without any limitation, (1) the copy, in part or entirely (2) and/or the presentation, in part or entirely, to any other third party outside the Addressee company or in the company but with no interest (3) and/or the distribution of the Drawings, in part or entirely, in any medium (4) and/or the creation of any derivative work. In case of breach of these conditions, Addressee shall indemnify A.Raymond from and against all damages (compensatory or consequential), costs, expenses and charges, caused or arising out of or attributable to its willful misconduct, fraud, negligence, infringement of A.Raymond Intellectual Property rights. If the Addressee does not accept these conditions, please notify A.Raymond sender immediately.

Brevets / Patent rights		Classification code CCC - -	
N° Projet / Project No.	Origine / Origin	Chef de projet / Project Manager PAULIN.G	
Echelle / scale 5:1	Format A3	Tolerance / General tolerance Dimension Angle $\pm 0.50 \pm 5.00^\circ$	Date
		ALL DIMENSIONS ARE IN MILLIMETERS	Realise / Prepared by VIRGONA.B
Epaisseur / Mat. thickness 0,40		Volume (mm³) 144,3	Poids / Weight (g) 1,1

Finition / finish
**See parts list
Voir tableau**

Traitement structural / Material treatment
**C67S CR
0,3 a 0,5 : TTH.HR 15 N : 81,5 a 83,5 (42 a 46 Hrc)**

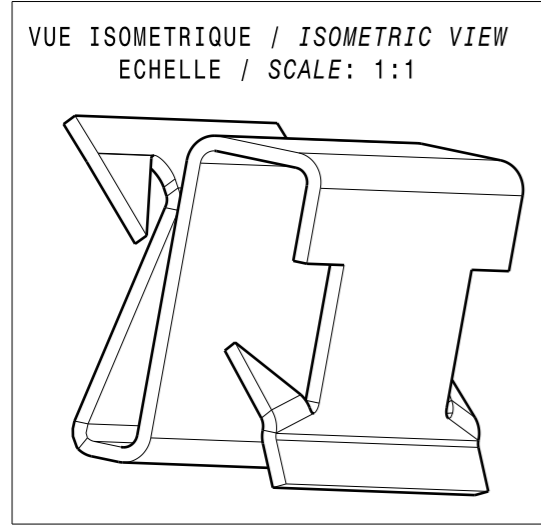
Matiere / Material
C67S-A

Libelle / Title
**Fixation en S
Agrafe
S shaped clip
Clip**

Reference / Part no.
052047-0-01

Ref. client / Customer part no.
Drawing type **C:Customer**
Planche / Sheet **1/1**

REV.	Quant.	Indice / revision description	Date	Name
Db	-	UPDATED SAP	17.07.13	GPA
Da	-	MISE A JOUR PLAN / UPDATE DRAWING	06.04.12	BVI



VERIFIER L ECHELLE APRES PHOTOCOPIE / BEWARE SCALE AFTER COPY