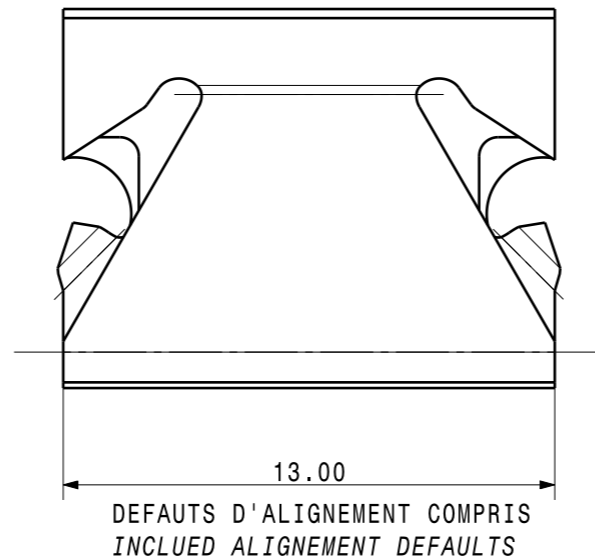
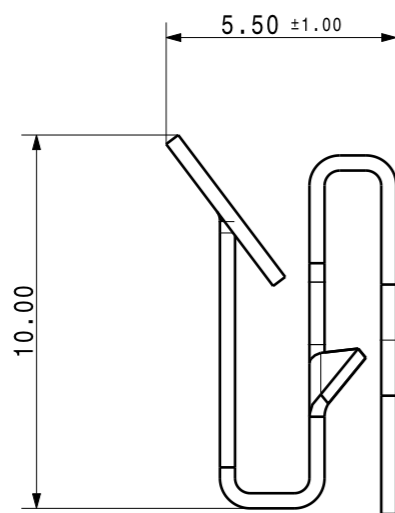
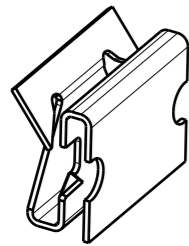


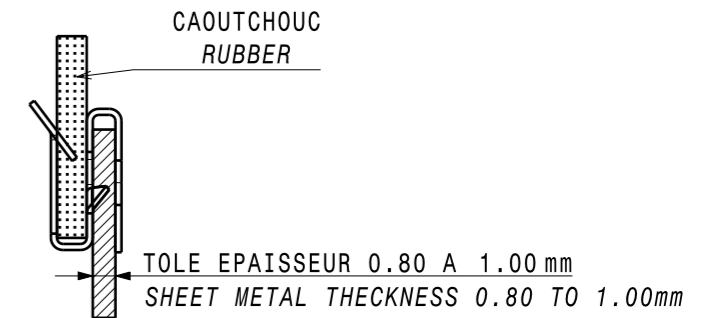
Variant	Finition / Finishes
00	PHO + lack Porosin noir/black BS RR:4H
01	BRUT DE TREMPE

VUE ISOMETRIQUE ECHELLE 2:1
ISOMETRIC VIEW SCALE 2:1



Une consultation préalable de A.Raymond SARL est nécessaire pour toute mise en place de la pièce en automatique.
Automatic processing of the part requires prior consultation with A.Raymond SARL.

CONDITIONS D'UTILISATION ECHELLE 2:1
USE CONDITIONS SCALE 2:1



ARaymond

113 cours Berriat BP 157
France - 38019 Grenoble cedex 1
Tel +33 (0) 4 76 33 49 49
Fax +33 (0) 4 76 78 20 50

Si problème de compréhension, merci de demander la version française à ARaymond avant toute utilisation.
"CONDITIONS OF USE"
This drawing and all information (the "Drawings") disclosed are the exclusive property of A.Raymond. By using this Drawing the Addressee acknowledges and accepts that this Drawing (1) is covered by A.Raymond intellectual property rights or know-how and (2) is provided under the following conditions which represent a Deposit Agreement. This Drawing is for Addressee internal use only limited to its estimation. Without prior written consent of A.Raymond, no permission or rights for any purpose, is hereby granted, such as, without any limitation, (1) the copy, in part or entirely (2) and/or the presentation, in part or entirely, to any other third party outside the Addressee company or in the company but with no interest (3) and/or the distribution of the Drawings, in part or entirely, in any medium (4) and/or the creation of any derivative work. In case of breach of these conditions, Addressee shall indemnify A.Raymond from and against all damages (compensatory or consequential), costs, expenses and charges, caused or arising out of or attributable to its willful misconduct, fraud, negligence, infringement of A.Raymond Intellectual Property rights. If the Addressee does not accept these conditions, please notify A.Raymond sender immediately.

Brevets / Patent rights		Classification code CCC - -	
N° Projet / Project No.	Origine / Origin	Chef de projet / Project Manager PAULIN.G	
Echelle / scale 5:1	Format A3	Tolerance / General tolerance Dimension Angle Cf nota Cf nota	Date 04.04.2012
ALL DIMENSIONS ARE IN MILLIMETERS		Realise / Prepared by VIRGONA.B	
Epaisseur / Mat. thickness 0,40		Approuve / Approved 20120404114606	Volume (mm³) 148,3
		Poids / Weight (g) 1,2	

Finition / finish
**Voir nomenclature
See parts list**

Traitement structural / Material treatment
**C67S CR
0,3 a 0,5 : TTH.HR 15 N : 81,5 a 83,5 (42 a 46 Hrc)**

Matiere / Material
C67S-A

Libelle / Title
**Fixation en S
S shaped clip**

Reference / Part no.
052225 - 0 - 00

Ref. client / Customer part no.
Drawing type
C:Customer



Hc	REV.	Quant.	Indexe / revision description	Date	Name
-			MISE A JOUR PLAN / UPDATE DRAWING	04.04.12	BVI

Nom fichier / File name
052225-0C00

VERIFIER L ECHELLE APRES PHOTOCOPIE / BEWARE SCALE AFTER COPY