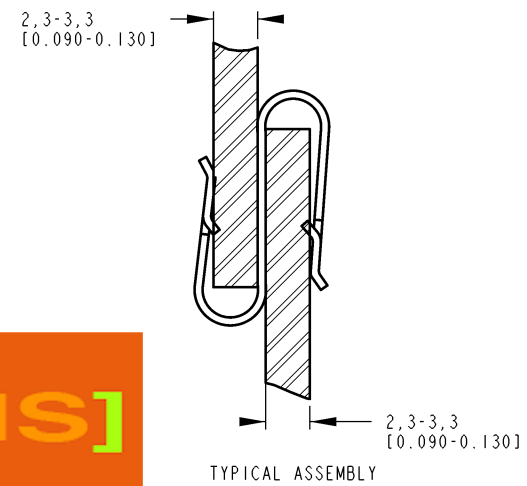
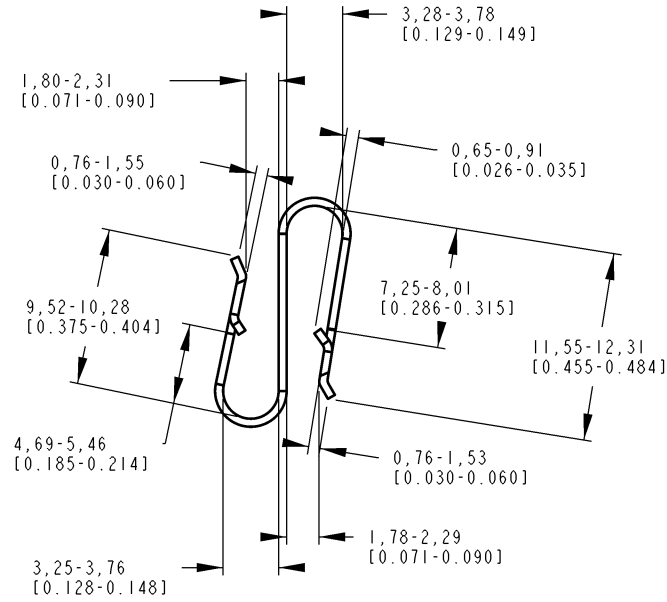
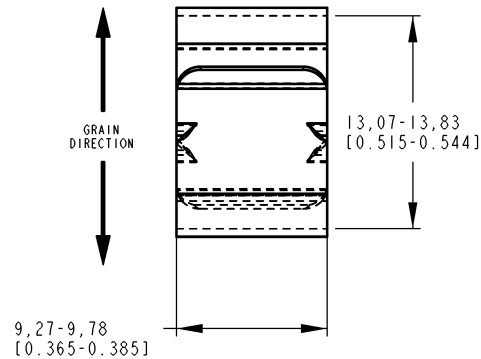

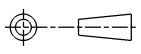


PART NUMBER	MATERIAL	MATERIAL CODE	FINISH	FINISH CODE	TREATMENT
136918-0-00	SAE 1050-1065 STEEL	1005	-	-	AUSTEMPERED TO RC 46-48
136918-0-01	SAE 1050-1065 STEEL	1005	WATER BASED METALLIC BASE COAT	6001	AUSTEMPERED TO RC 46-48
136918-0-02	SAE 1050-1065 STEEL	1005	WATER BASED METALLIC BASE COAT + CLEAR LUBRICATED TOPCOAT	6004	AUSTEMPERED TO RC 46-48
136918-0-03	SAE 1050-1065 STEEL	1005	PHOSPHATE + OIL	5100	AUSTEMPERED TO RC 46-48


 ACTUAL SIZE



REV.		QUANTITY	MODIFICATION DESCRIPTION	DATE	DK	NAME
Eg		DRAWING CREATED IN METRIC UNITS			12/17/14	DK
REV.		QUANTITY	MODIFICATION DESCRIPTION	DATE	DK	NAME
 ARaymondTINNERMAN A.RAYMOND TINNERMAN INDUSTRIAL, Inc.						
1060 W. 130TH STREET BRUNSWICK, OHIO 44212 PHONE: (330) 220-5361						
"CONDITIONS OF USE" THIS DRAWING AND ALL INFORMATION (THE "DRAWING") DISCLOSED ARE THE EXCLUSIVE PROPERTY OF A. RAYMOND. BY USING THIS DRAWING THE ADDRESSEE ACKNOWLEDGES AND ACCEPTS THAT THIS DRAWING (1) IS COVERED BY A. RAYMOND TINNERMAN INTELLECTUAL PROPERTY RIGHTS OR KNOW-HOW AND (2) IS PROVIDED UNDER THE FOLLOWING CONDITIONS WHO REPRESENT A DEPOSIT AGREEMENT. THIS DRAWING IS FOR ADDRESSEE INTERNAL USE ONLY LIMITED TO ITS ESTIMATION. WITHOUT PRIOR WRITTEN CONSENT OF A. RAYMOND NO PERMISSION OR RIGHTS FOR ANY PURPOSE, IS HEREBY GRANTED, SUCH AS, WITHOUT ANY LIMITATION, (1) THE COPY, IN PART OR ENTIRELY (2) AND/OR THE PRESENTATION, IN PART OR ENTIRELY, TO ANY OTHER THIRD PARTY OUTSIDE THE ADDRESSEE COMPANY OR IN THE COMPANY BUT WITH NO INTEREST (3) AND/OR THE DISTRIBUTION OF THE DRAWING, IN PART OR ENTIRELY, IN ANY MEDIUM (4) AND/OR THE CREATION OF ANY DERIVATIVE WORK. IN CASE OF BREACH OF THESE CONDITIONS, ADDRESSEE SHALL INDEMNIFY A. RAYMOND FROM AND AGAINST ALL DAMAGES (COMPENSATORY OR CONSEQUENTIAL), COSTS, EXPENSES AND CHARGES, CAUSED OR ARISING OUT OF OR ATTRIBUTABLE TO ITS WILLFUL MISCONDUCT, FRAUD, NEGLIGENCE, INFRINGEMENT OF A. RAYMOND INTELLECTUAL PROPERTY RIGHTS. IF THE ADDRESSEE DOES NOT ACCEPT THESE CONDITIONS, PLEASE NOTIFY A. RAYMOND SENDER IMMEDIATELY.						
INTELLECTUAL PROPERTY RIGHTS			ALL RIGHTS RESERVED		CLASSIFICATION CODE CCC--	
REPLACES			DEL. REF. C55113-020	PROJECT NO. -		
SCALE 2:1	FORMAT A3	GENERAL TOLERANCE X.X ± 0.5 X.XX ± 0.25 X.XXX ± 0.125 ANGLES ± 2°		DATE 17-Dec-14 03:11:49 PM		
PROJECTION		ALL DIMENSIONS IN MILLIMETERS		PREPARED BY D.KILGORE		
		MAT. THICKNESS 0.508	VOLUME (mm ³) 201.264	WEIGHT (g) 1.582		
FINISH						FINISH CODE -
MATERIAL TREATMENT AUSTEMPERED TO RC 46-48						
MATERIAL SAE 1050-1065 STEEL						MAT. CODE 1005
TITLE S-CLIP						
PART NO. 136918-0-XX				DRAWING TYPE C		
CUSTOMER PART NO.						SHEET 1
CAD SYSTEM & VERSION CREO PARAMETRIC 2.0			FILENAME 136918-0C00			

<http://www.cergy-vis.fr>

 ET SI ON PARLAIT SERVICE