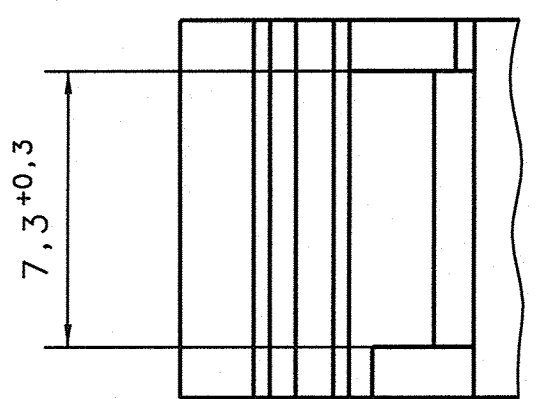
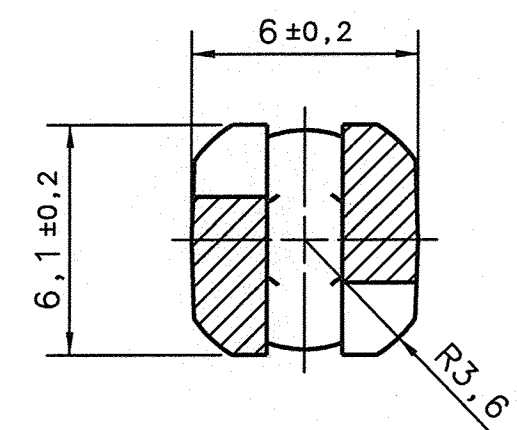


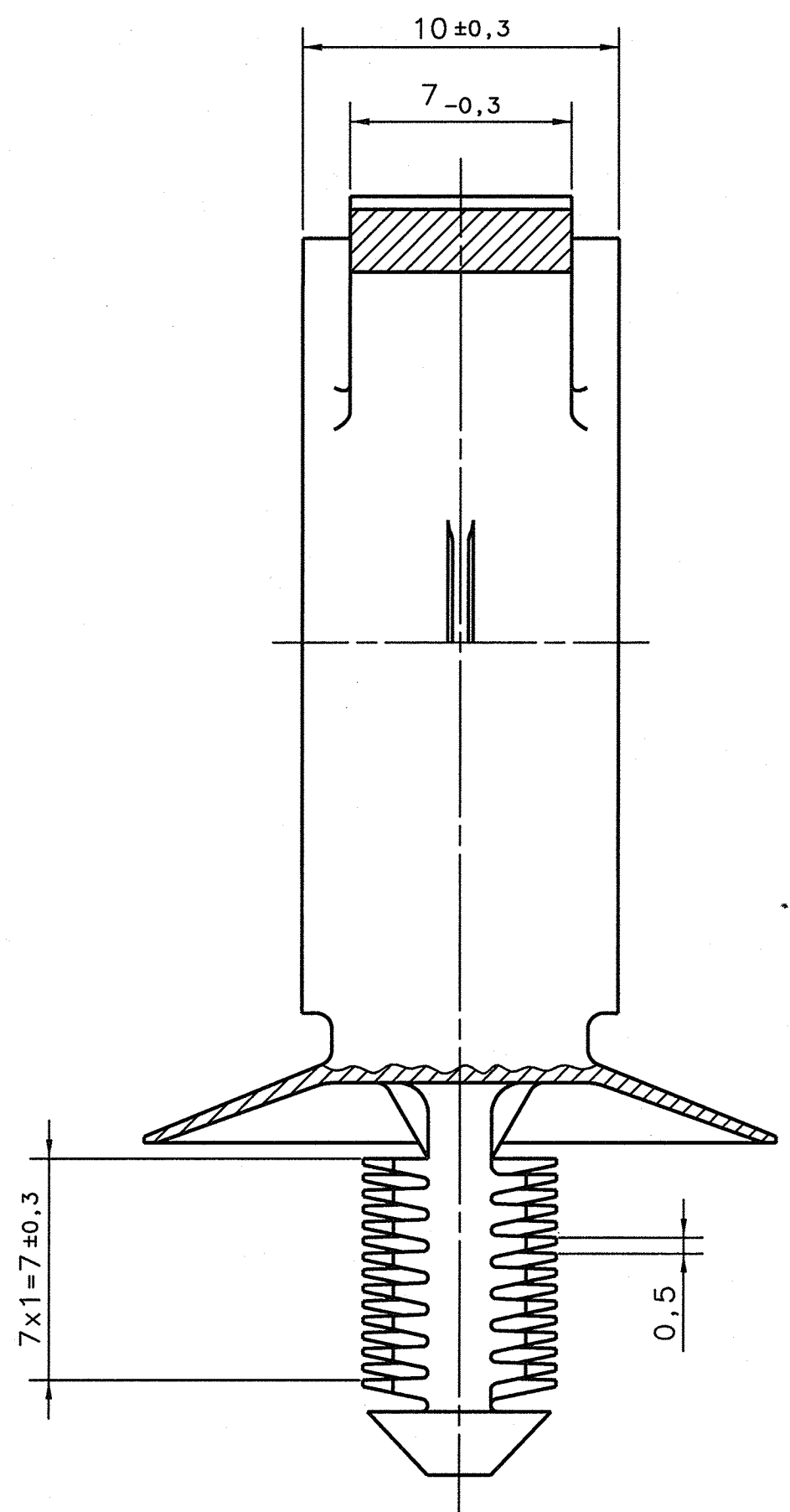
Ansicht / View on arrow Y



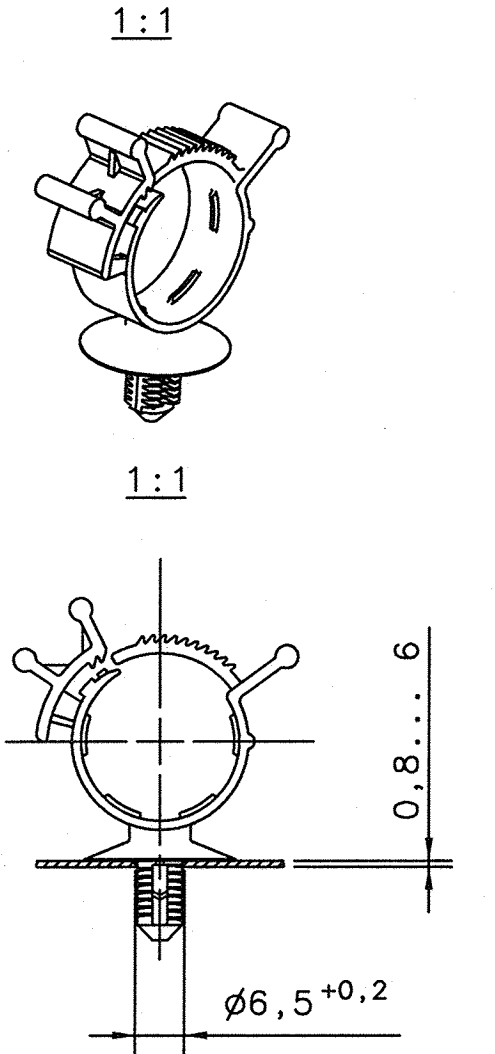
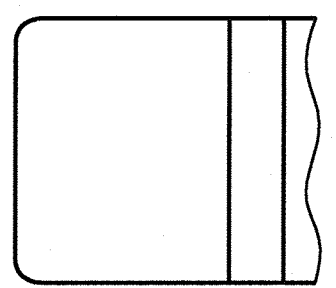
Schnitt / Section B-B



Schnitt / Section A-A



Ansicht / View on arrow Z



passend fuer Wellenschlauch  $\phi 16...18,5$   
 applicable for corrugated hose

Bemerkungen/ Remarks			
1:1			
1:1			
$\phi 6,5 \pm 0,2$			
0,8...0,6			
passend fuer Wellenschlauch $\phi 16...18,5$ applicable for corrugated hose			
Ba	3D/CAD und SAP-Umstellung	11.12.07	RK
Ind.	Beschreibung / Description	Datum / Date	Name
Aenderungen/Modifications			
 SPEZIALBEFESTIGUNGSSYSTEME WELTWEIT / ENGINEERED FASTENERS WORLDWIDE			
<small>Bei Verstoenndisproblemen beantragen Sie bitte beim Absender die deutsche Fassung vor jeder Anwendung.          *CONDITIONS OF USE*          This drawing and all information (the "Drawing") disclosed are the exclusive property of A. Raymond. By using this drawing the Addressee acknowledges and accepts that this Drawing (1) is covered by A. Raymond' intellectual property rights or know-how and (2) is provided under the following conditions who represent a Deposit Agreement. This Drawing is for Addressee' internal use only limited to its estimation. Without prior written consent of A. Raymond, no permission or rights for any purpose, is hereby granted, such as, without any limitation, (1) the copy, in part or entirely (2) and/or the presentation, in part or entirely, to any other third party outside the Addressee' company or in the company but with no interest (3) and/or the distribution of the Drawing, in part or entirely, in any medium (4) and/or the creation of any derivative work. In case of breach of these conditions, Addressee shall indemnify A. Raymond from and against all damages (compensatory or consequential), costs, expenses and charges, caused or arising out of or attributable to its willful misconduct, fraud, negligence, infringement of A. Raymond' Intellectual Property rights. If the Addressee does not accept these conditions, please notify A. Raymond' sender immediately.</small>			
Dateiname/ Filename	017098_C_01		
Ersatz fuer/ Substitute for	17098.519 Index 1 vom 20.09.93	Proj.-Nr./ Proj.-No.	RASCH- BADA- Code
Schutzrechte/ Patent rights		Vol. (m <sup>3</sup> )	1509
Gepr./ App.	F.-gepr./ Production	Q.-gepr./ Quality	S.-gepr./ Patent app.
Masstab / Scale	5:1		Datum/ Date
Allgem. Tol./ wenn nicht anders angegeben/ General tol. unless otherwise specified		Gez./ Drawn	Kraus
Oberflaechenbehandlung/ Finish		-	
Kennzahl/ Code number		-	
Werkstoffbehandlung/ Material treatment		konditioniert / conditioned	
Wassergehalt: / water content: 2...4%		Bleeddicke/ Mat. Thickn. DIN EN 10 140	
Werkstoff/ Material		PA 6 waermestabil / heat stabilized	
Mat.-Code		1519	
Benennung/ Partname			
Schlauchhalter cable clip			
Teil-Nr./ Part-No.	017098 000		C
017098 000		schwarz black	SW 7000
Teil - Nr. / Part - No.	Oberflaeche/Farbe/ Finish/colour	Kennzahl/ Code number	
Ausfuehrung/Execution			
-CAD-I-		Format: DIN A2	-Zeichnung=DIN A

<http://www.cergy-vis.fr>
  
**[CERGY-VIS]**
  
 ET SI ON PARLAIT SERVICE

Kennzeichnung : / Identification :  
 Hersteller - Code RAY  
 Mfr. - Code  
 Werkstoff - Code VDA 260 > PA6 <  
 Material - Code

017098 000	schwarz black	SW	7000
Teil - Nr. / Part - No.	Oberflaeche/Farbe/ Finish/colour	Kennzahl/ Code number	
Ausfuehrung/Execution			
-CAD-I-		Format: DIN A2	-Zeichnung=DIN A