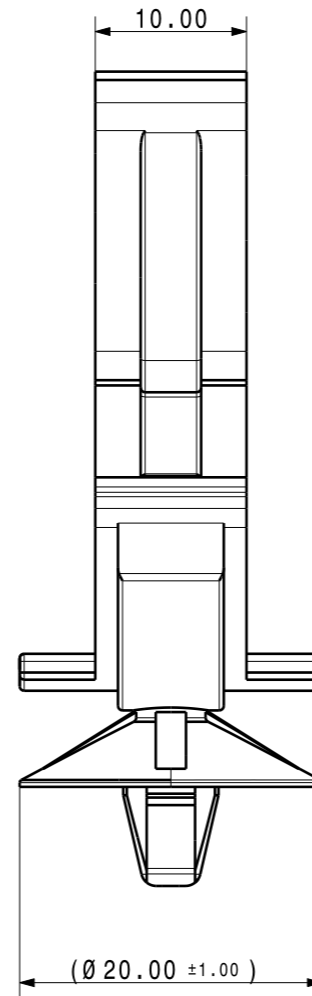
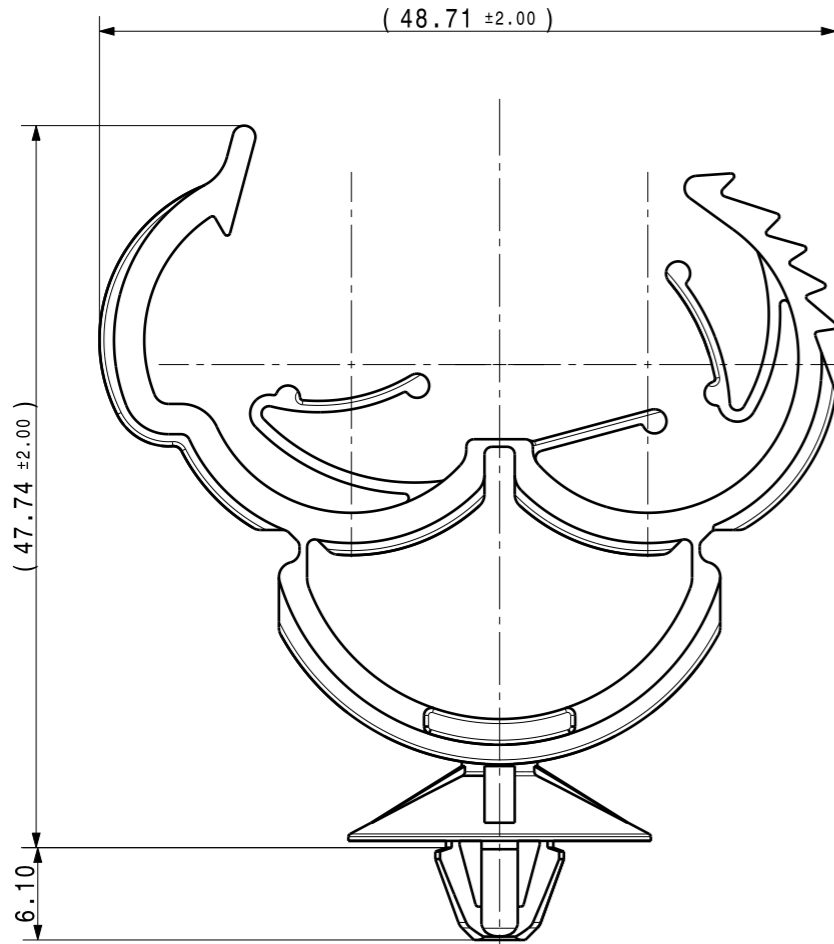
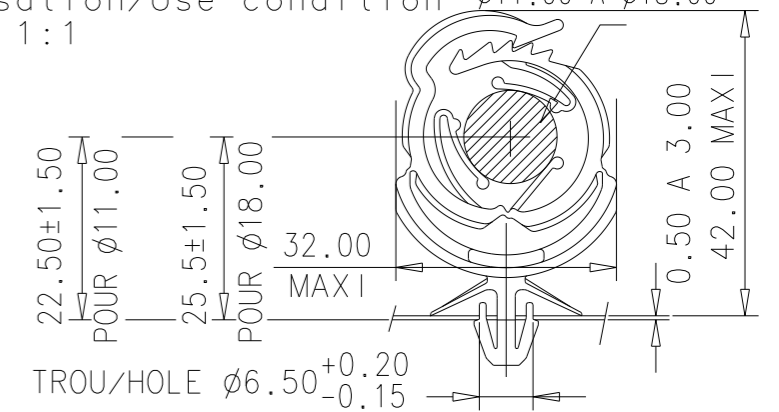


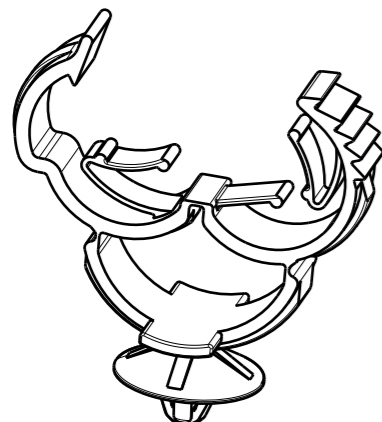
Variant	Matières / Materials	Traitements structuraux / Material treatments	Finitions / Finishes	Poids / Weight (g)
00	PPC 0400	Sans Without	Noir Black	3,5
01	PA6 00	REPRISE D'HUMIDITE 2% MINI 2% mini of Humidity rework	Noir Black	4,4

Une consultation préalable de A.Raymond SARL est nécessaire pour toute mise en place de la pièce en automatique.
Automatic processing of the part requires prior consultation with A.Raymond SARL.

Exemple d'utilisation/Use condition $\phi 11.00$ A $\phi 18.00$
Echelle/Scale : 1:1



VUE ISO/3D VIEW
ECHELLE/SCALE : 1:1



		113 cours Berriat BP 157 France - 38019 Grenoble cedex 1 Tel +33 (0) 4 76 33 49 49 Fax +33 (0) 4 76 78 20 50	
Si probleme de comprehension, merci de demander la version française a ARaymond avant toute utilisation.			
If the addressee does not accept these conditions, please notify A.Raymond sender immediately. This drawing and all information (the Drawing) disclosed are the exclusive property of A.Raymond. By using this Drawing the Addressee acknowledges and accepts that this Drawing (1) is covered by A.Raymond intellectual property rights or know-how, and, (ii) is provided under the following conditions who represent a Deposit Agreement. This Drawing is for Addressee' internal use only limited to its estimation. Without prior written consent of A.Raymond, no permission or rights for any purpose, is hereby granted, such as, without any limitation, (1) the copy, in part or entirely (2) and/or the presentation, in part or entirely, to any other third party outside the Addressee' company or in the company but with no interest (3) and/or the distribution of the Drawing, in part or entirely, in any medium (4) and/or the creation of any derivative work. In case of breach of these conditions, Addressee shall indemnify A.Raymond from and against all damages (compensatory or consequential), costs, expenses and charges, caused or arising out of or attributable to its willful misconduct, fraud, negligence, infringement of A.Raymond' Intellectual Property rights.			
Brevets / Patent rights		Safix code BADA-	
N° Projet		Origine / Origin	Chef de projet / Project Manager
Echelle / scale	Format	Tolerance / General tolerance Dimension Angle	Date 19.07.2010
2:1	A3	$\pm 0.50 \pm 5.00^\circ$	Realise / Prepared by AILHAS.F
		ALL DIMENSIONS ARE IN MILLIMETERS	Approuve / Approved 20100719092828
Epaisseur / Mat. thickness		Volume (mm³)	Poids / Weight (g)
-		3902	-
Finition /finish Voir nomenclature See parts list			Code finition finish code -
Traitement structural / Material treatment Voir nomenclature See parts list			
Matiere / Material Voir nomenclature See parts list			Mat. code -
Libelle / Title Support tube Pipe clip			
Reference /Part no. 055473-0-00			Drawing type C : Customer
Bcl	-	UPDATED DRAWING	19.07.10
REV.	Quant.	Indice / revision description	Date
-	-	-	FAI
Ref. client / Customer part no.		CAD system & version	
-		CATIA V5 R19 SP7	
Nom fichier / File name		055473-0C00	
Planche / Sheet			1/1

VERIFIER L ECHELLE APRES PHOTOCOPIE / BEWARE SCALE AFTER COPY

4
3
2
1

4
3
2
1

H G F E D C B A