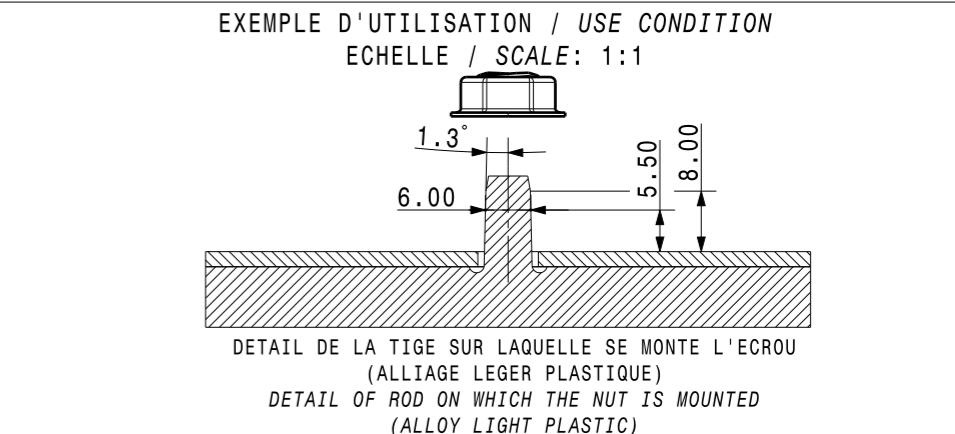




Une consultation préalable de A.Raymond SARL est nécessaire pour toute mise en place de la pièce en automatique.
Automatic processing of the part requires prior consultation with A.Raymond SARL.

Variant	Finition / Finishes
03	BRUT DE TREMPÉ
06	ZnNi(12-15%Ni)8µ min +Cr3 noir/Black ProtedurNi75 + Corrotri noir/Black BS RR:400H
08	Zn 15µ min +Cr3 Protolux3000 + Ecotri Gris/grey BS RR:408H
09	ZnNi(12-15%Ni)8µ min + Cr3 gris/grey + FOM ProtedurNi75+ Ecotri Gris/grey +Corrosil501 BS RR:720H
14	ZnFL Noir/Black Zn-Al + Si 8µ min Magni 2.2 noir/black BS RR:600H



ARaymond 113 cours Berriat BP 157
France - 38019 Grenoble cedex 1
Tel +33 (0) 4 76 33 49 49
Fax +33 (0) 4 76 78 20 50

Si problème de compréhension, merci de demander la version française à A.Raymond avant toute utilisation.
"CONDITIONS OF USE"
This drawing and all information (the "Drawings") disclosed are the exclusive property of A.Raymond. By using this Drawing the Addressee acknowledges and accepts that this Drawing (1) is covered by A.Raymond intellectual property rights or know-how and (2) is provided under the following conditions who represent a Deposit Agreement. This Drawing is for Addressee internal use only limited to its estimation. Without prior written consent of A.Raymond, no permission or rights for any purpose, is hereby granted, such as, without any limitation, (1) the copy, in part or entirely (2) and/or the presentation, in part or entirely, to any other third party outside the Addressee company or in the company but with no interest (3) and/or the distribution of the Drawings, in part or entirely, in any medium (4) and/or the creation of any derivative work. In case of breach of these conditions, Addressee shall indemnify A.Raymond from and against all damages (compensatory or consequential), costs, expenses and charges, caused or arising out of or attributable to its willful misconduct, fraud, negligence, infringement of A.Raymond Intellectual Property rights. If the Addressee does not accept these conditions, please notify A.Raymond sender immediately.

Brevets / Patent rights		Classification code AD-FG	
N° Projet / Project No.	Origine / Origin	Chef de projet / Project Manager PICAVET.C	
Echelle / scale 5:1	Format A3	Tolerance / General tolerance Dimension Angle ± 0.50 ± 5.00°	Date
		ALL DIMENSIONS ARE IN MILLIMETERS	Realise / Prepared by PAULIN.G
Epaisseur / Mat. thickness 0,50		Volume (mm³) 141,3	Poids / Weight (g) 1,1

Finition / finish
**See parts list
Voir tableau**

Traitement structural / Material treatment
**C67S CR
0,3 a 0,5 : TTH.HR 15 N : 81,5 a 83,5 (42 a 46 Hrc)**

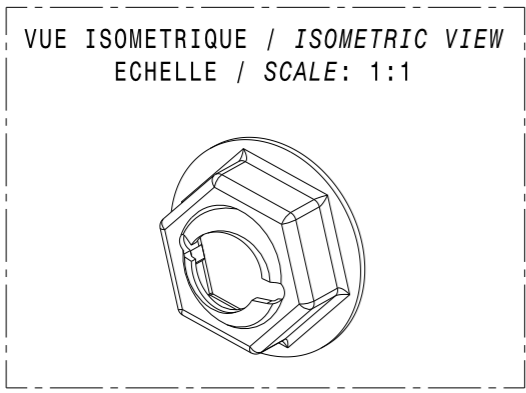
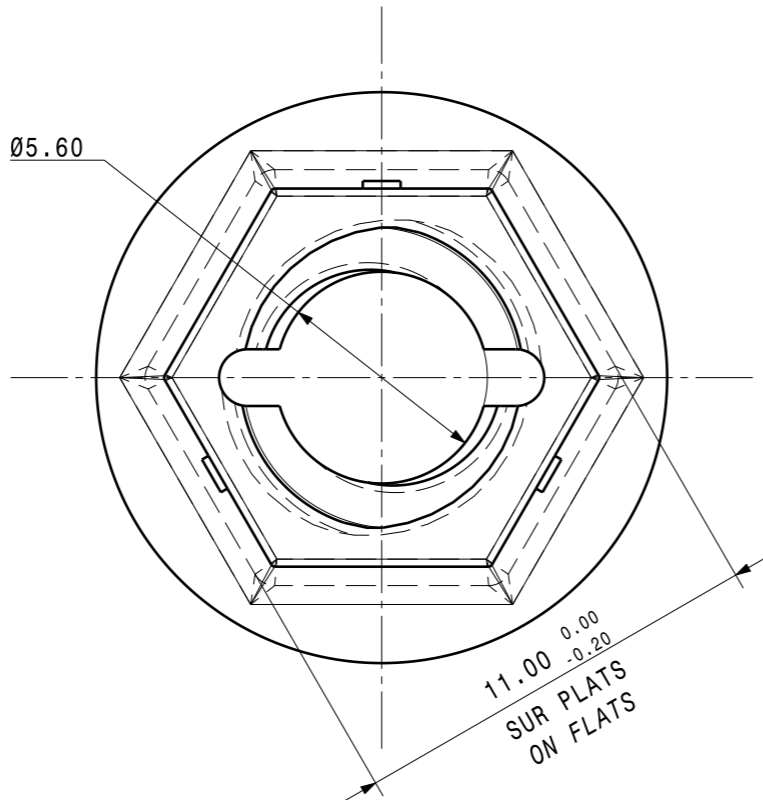
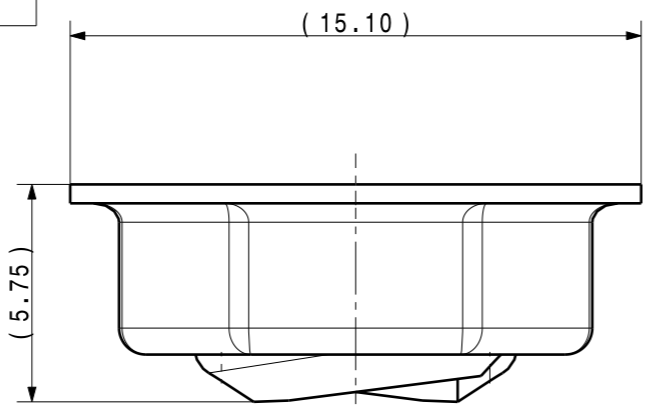
Matiere / Material
C67S-A

Libelle / Title
**Ecrou spécial
Auto-Fileteur pour Ø6.00mm
Special nut
Auto-Fileteur for Ø6.00mm**

Reference / Part no.
052835 - 0 - 03

Ref. client / Customer part no.

CAD system & version CATIA V5 R19 SP9 Nom fichier / File name 052835-0C03



REV.	Quant.	Indice / revision description	Date	Name
Jp	-	AJOUT VARIANTE "014" / VARIANT "014" ADDED	26.06.14	FCA
Jn	-	MISE A JOUR DESSIN - UPDATED DRAWING	20.02.13	CPR
Jm	-	UPDATED DRAWING	04.02.13	GPA
Jk	-	CORRECTION TITRE	25.05.12	GPA
Jj	-	UPDATED DRAWING	23.01.12	GPA

VERIFIER L ECHELLE APRES PHOTOCOPIE / BEWARE SCALE AFTER COPY

4
3
2
1