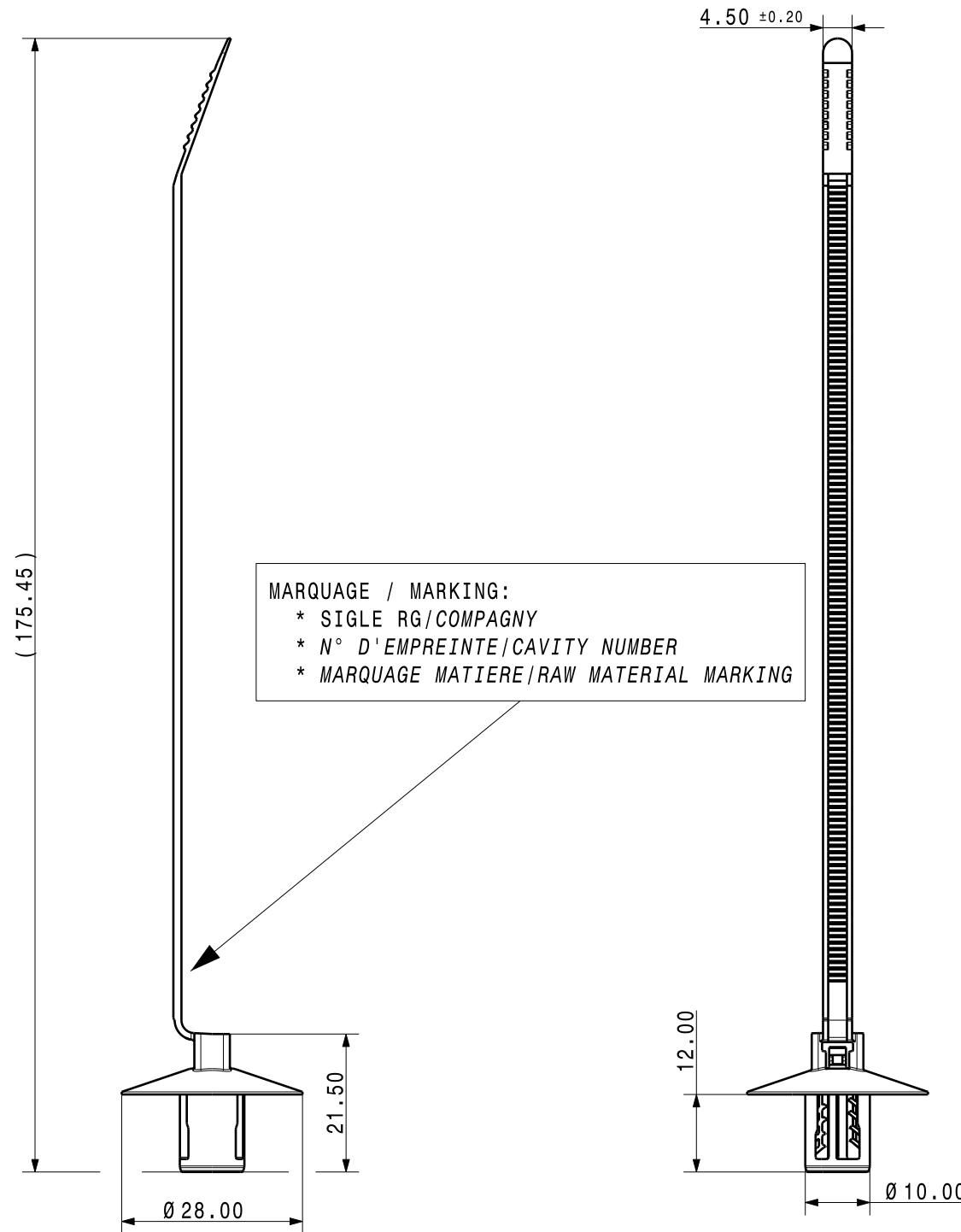
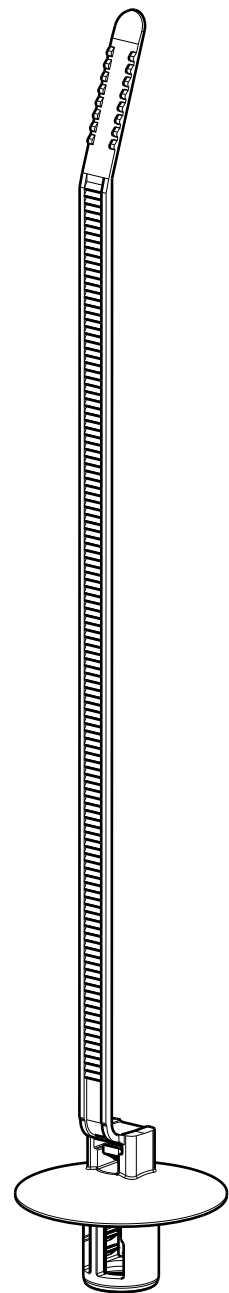


VUE ISOMETRIQUE / ISOMETRIC VIEW
ECHELLE / SCALE: 1:1



MARQUAGE / MARKING:
 * SIGLE RG/COMPAGNY
 * N° D'EMPREINTE/CAVITY NUMBER
 * MARQUAGE MATIERE/RAW MATERIAL MARKING



REV.	Quant.	Indice / revision description	Date	Name
Bd	-	UPDATED DRAWING	18.06.13	GPA
Bc	-	UPDATED DRAWING	05.04.13	GPA

Une consultation préalable de A.Raymond SARL est nécessaire pour toute mise en place de la pièce en automatique.
Automatic processing of the part requires prior consultation with A.Raymond SARL.

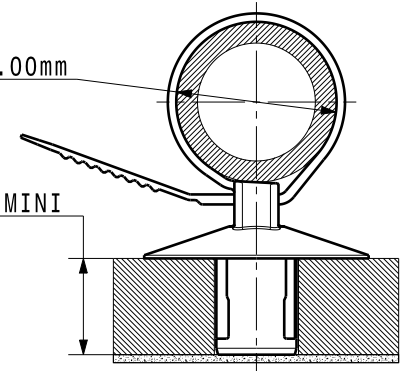
EXEMPLE D'UTILISATION / USE CONDITION

ECHELLE / SCALE: 1:1

TUBE/PIPE: Ø1.50 A/TO Ø40.00mm

SUPPORT: 12.00 MINI

SE MONTE SUR GFS: Ø5.00
OU VIS M6 OU M6 AUTO-NETOYEUR



ARaymond

113 cours Berriat BP 157
France - 38019 Grenoble cedex 1
Tel +33 (0) 4 76 33 49 49
Fax +33 (0) 4 76 78 20 50

Si problème de compréhension, merci de demander la version française à ARaymond avant toute utilisation.

"CONDITIONS OF USE"

This drawing and all information (the "Drawing") disclosed are the exclusive property of A.Raymond.

By using this Drawing the Addressee acknowledges and accepts that this Drawing

(1) is covered by A.Raymond intellectual property rights or know-how and

(2) is provided under the following conditions who represent a Deposit Agreement.

This Drawing is for Addressee internal use only limited to its estimation.

Without prior written consent of A.Raymond, no permission or rights for any purpose, is hereby granted, such as, without any limitation,

(1) the copy, in part or entirely

(2) and/or the presentation, in part or entirely, to any other third party outside the Addressee company or in the company but with no interest

(3) and/or the distribution of the Drawings, in part or entirely, in any medium

(4) and/or the creation of any derivative work.

In case of breach of these conditions, Addressee shall indemnify A.Raymond from and against all damages (compensatory or consequential), costs, expenses and charges, caused or arising out of or attributable to its willful misconduct, fraud, negligence, infringement of A.Raymond Intellectual Property rights. If the Addressee does not accept these conditions, please notify A.Raymond sender immediately.

Brevets / Patent rights		Classification code BAEF-	
N° Projet / Project No.	Origine / Origin	Chef de projet / Project Manager PAULIN.G	
Echelle / scale 1:1	Format A3	Tolerance / General tolerance Dimension Angle ± 0.50 ± 5.00°	Date
		Réalise / Prepared by PAULIN.G Approuve / Approved 20130618115242	
Epaisseur / Mat. thickness		Volume (mm³) 1766	Poids / Weight (g) 2

Finition /finish Noir Black	Code finition finish code -
---	--

Traitement structural / Material treatment Sans Without

Matière / Material PA 66 I H NC Zytel MT409 AHS BK010	Mat. code -
---	-----------------------

Libelle / Title Lanière avec fixation Cable strap with pipe clip
--

Reference /Part no. 201614-0-01	Drawing type C-Customer
---	-----------------------------------

Ref. client / Customer part no.	Planche / Sheet 1/1
---------------------------------	----------------------------

CAD system & version CATIA V5 R19 SP9	Nom fichier / File name 201614-0C01
--	--

VERIFIER L ECHELLE APRES PHOTOCOPIE / BEWARE SCALE AFTER COPY