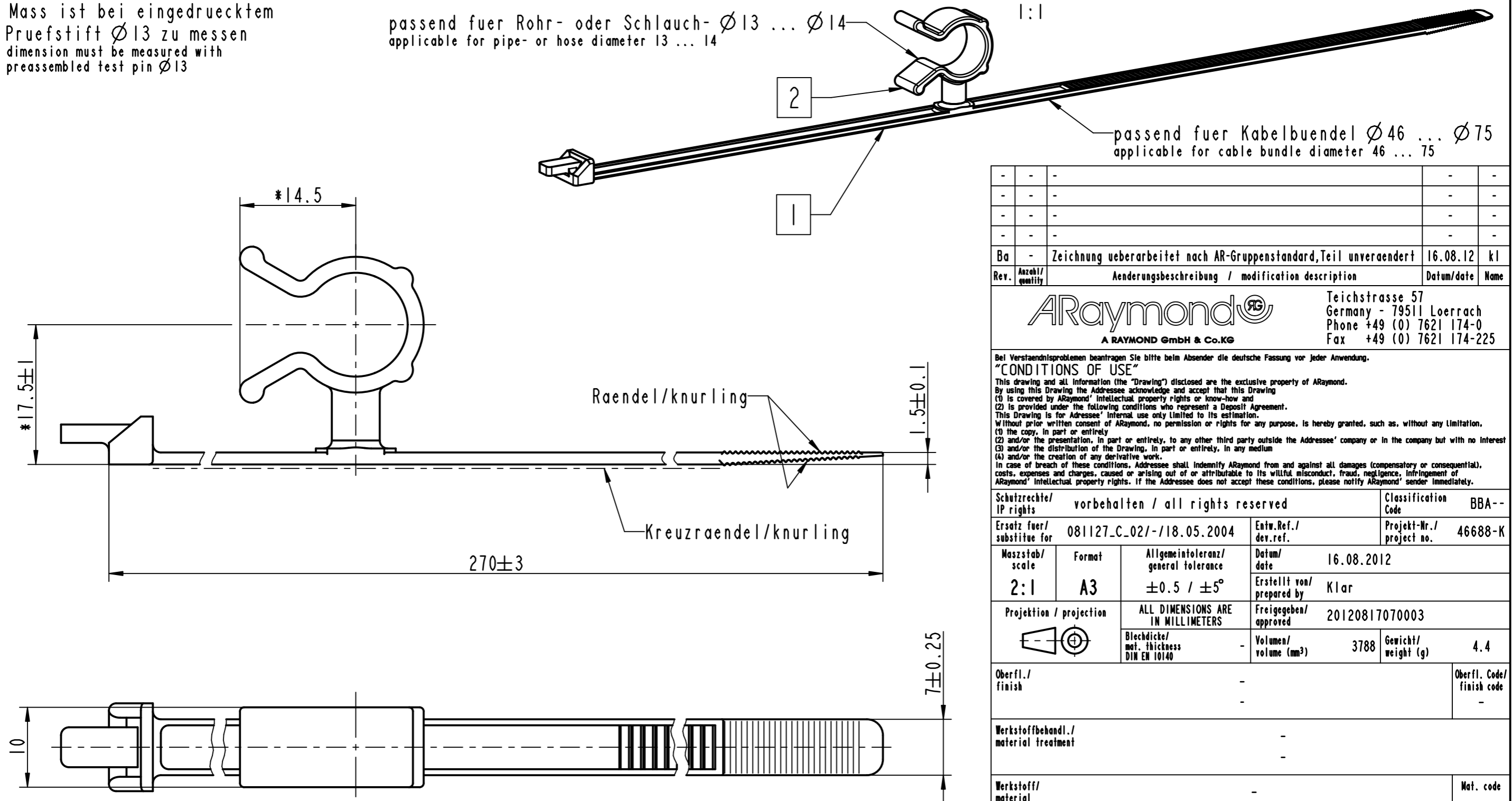


* Mass ist bei eingedrücktem
Pruefstift $\varnothing 13$ zu messen
dimension must be measured with
preassembled test pin $\varnothing 13$

passend fuer Rohr- oder Schlauch- $\varnothing 13 \dots \varnothing 14$
applicable for pipe- or hose diameter 13 ... 14

passend fuer Kabelbueindel $\varnothing 46 \dots \varnothing 75$
applicable for cable bundle diameter 46 ... 75



Rev.	Anzahl/quantity	Aenderungsbeschreibung / modification description	Datum/date	Name
------	-----------------	---	------------	------

Ba	-	Zeichnung ueberarbeitet nach AR-Gruppenstandard, Teil unveraendert	16.08.12	kl
----	---	--	----------	----

ARaymond
A RAYMOND GmbH & Co. KG

Teichstrasse 57
Germany - 79511 Loerrach
Phone +49 (0) 7621 174-0
Fax +49 (0) 7621 174-225

Bei Verstaendnisproblemen beantragen Sie bitte beim Absender die deutsche Fassung vor jeder Anwendung.
"CONDITIONS OF USE"
This drawing and all information (the "Drawing") disclosed are the exclusive property of ARaymond. By using this Drawing the Addressee acknowledges and accepts that this Drawing (1) is covered by ARaymond's intellectual property rights or know-how and (2) is provided under the following conditions who represent a Deposit Agreement. This Drawing is for Addressee's internal use only limited to its estimation. Without prior written consent of ARaymond, no permission or rights for any purpose, is hereby granted, such as, without any limitation, (1) the copy, in part or entirely, (2) and/or the presentation, in part or entirely, to any other third party outside the Addressee's company or in the company but with no interest (3) and/or the distribution of the Drawing, in part or entirely, in any medium (4) and/or the creation of any derivative work. In case of breach of these conditions, Addressee shall indemnify ARaymond from and against all damages (compensatory or consequential), costs, expenses and charges, caused or arising out of or attributable to its willful misconduct, fraud, negligence, infringement of ARaymond's intellectual property rights. If the Addressee does not accept these conditions, please notify ARaymond's sender immediately.

Schutzrechte/ IP rights	vorbehalten / all rights reserved		Classification Code	BBA--
Ersatz fuer/ substitute for	081127_C_02/-/18.05.2004	Entw.Ref./ dev.ref.	Projekt-Nr./ project no.	46688-K

Masstab/ scale	Format	Allgemeintoleranz/ general tolerance	Datum/ date	16.08.2012
2:1	A3	$\pm 0.5 / \pm 5^\circ$	Erstellt von/ prepared by	Klar

Projektion / projection	ALL DIMENSIONS ARE IN MILLIMETERS	Freigegeben/ approved	20120817070003
Bleedicke/ mat. thickness DIN EN 10140	-	Volumen/ volume (mm ³)	3788
		Gewicht/ weight (g)	4.4

Oberfl./ finish	-	Oberfl. Code/ finish code	-
-----------------	---	---------------------------	---

Werkstoffbehandl./ material treatment	-
---------------------------------------	---

Werkstoff/ material	-	Mat. code	8801
---------------------	---	-----------	------

Benennung/ title: **Kabelband / Schlauchhalter drehbar**
cable strap / hose clip rotatable

Teil-Nr./ part no.	081127-0-01	Drawing type	C:Customer
--------------------	-------------	--------------	------------

Kundenteile-Nr. / customer part no.	-	Blatt / sheet	1 / 1
CAD system & version	ProE WF4	Dateiname / filename	081127-0C01

Pos.	Anzahl/ quantity	Teil-Nr. / part. no.	Werkstoff / material	Oberflaeche / Farbe / finish / colour	ZSB_Oberfl. Code finish code
2	1	015782-0-02	PA 66 -GF 25- waermestabil PA 66 -GF 25- heat stabilized	schwarz black	SW
1	1	013389-0-00	PA 46 - schlagzaeh, waermestabil PA 46 - impact strength, heat stabilized	schwarz black	SW
					7000

