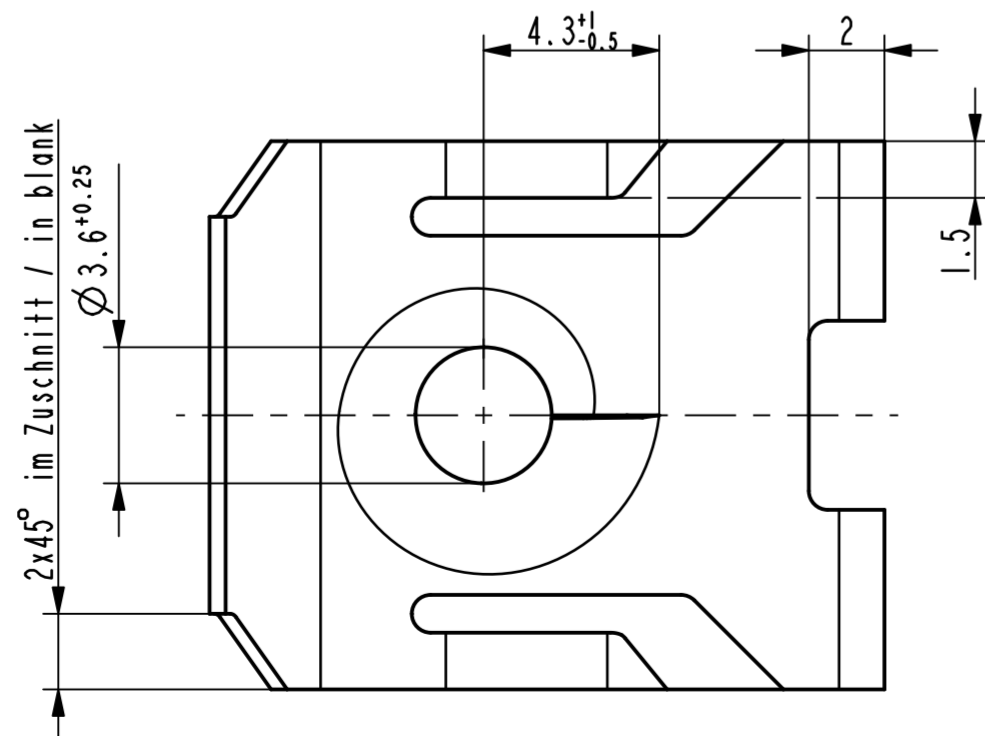
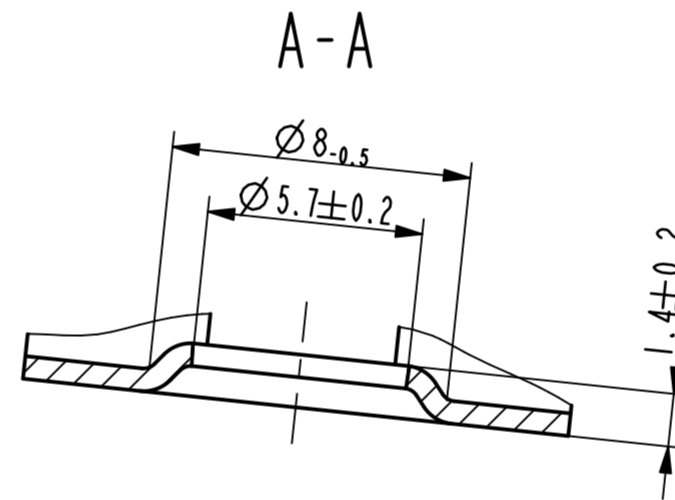
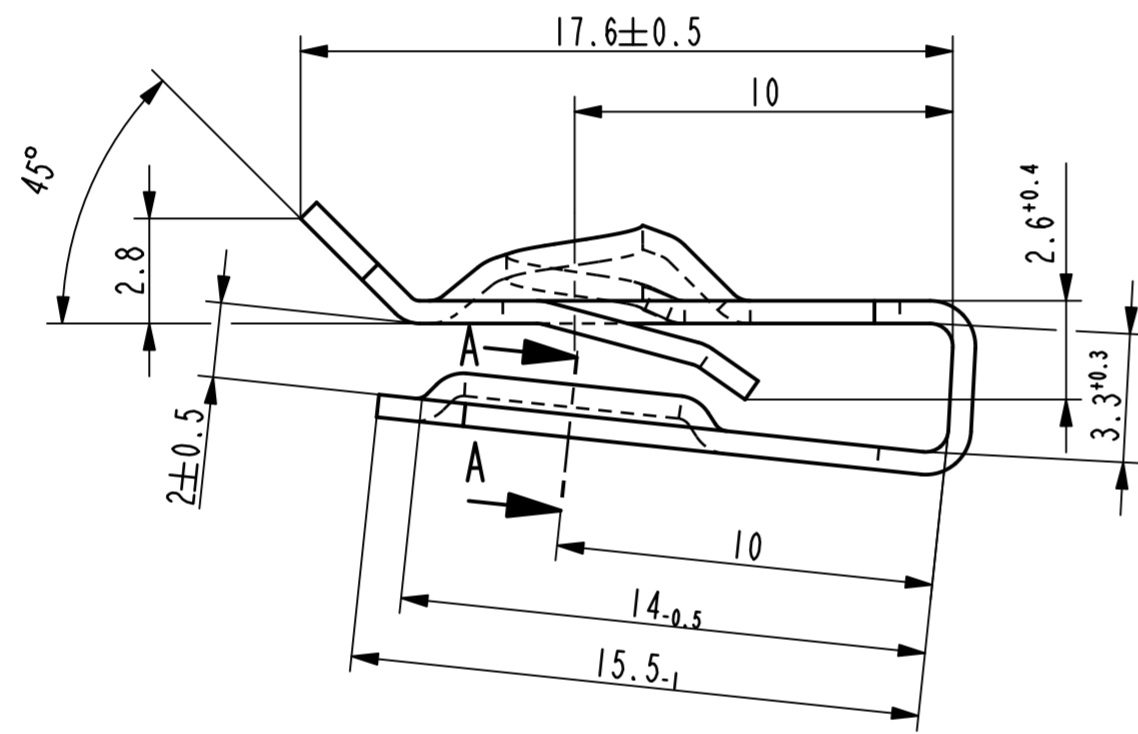
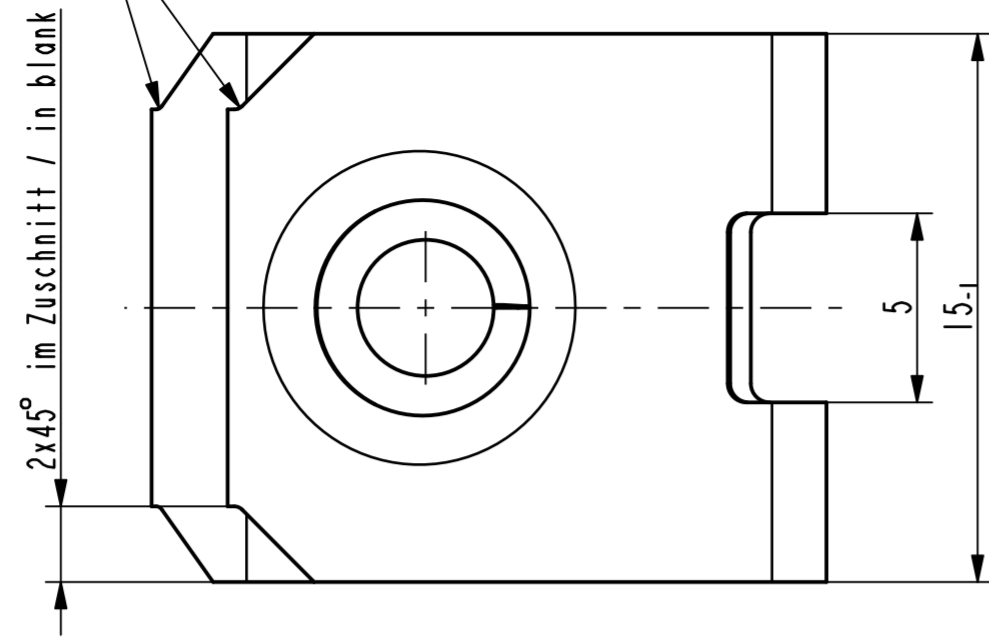


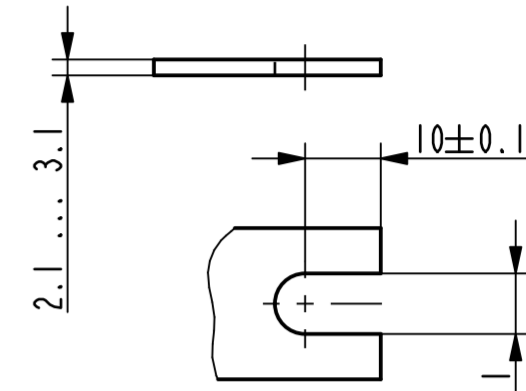
Ausklüfung zulässig /  
cut-out permissible



Vor Auslegung einer automatisierten Verarbeitung des Teils sollte Rücksprache mit Fa. A.Raymond gehalten werden.  
Fully automatic processing of the part requires prior consultation with A.Raymond GmbH.



3D-Ansicht /  
isometrical view  
2:1



Bauteil / component  
1:1

Rev.	Anzahl/quantity	Aenderungsbeschreibung / modification description	Datum/date	Name
-	-	-	-	-
-	-	-	-	-
-	-	-	-	-
-	-	-	-	-
-	-	-	-	-
-	-	-	-	-
-	-	-	-	-
-	-	-	-	-
-	-	-	-	-
-	-	-	-	-

Aa	-	Zeichnung ueberarbeitet nach AR-Gruppenstandard, Teil unveraendert	14.04.11	mj
----	---	--	----------	----



Teichstrasse 57  
Germany - 79511 Loerrach  
Phone +49 (0) 7621 174-0  
Fax +49 (0) 7621 174-225

Bei Verstaendnisproblemen beantragen Sie bitte beim Absender die deutsche Fassung vor jeder Anwendung.  
"CONDITIONS OF USE"  
This drawing and all information (the "Drawing") disclosed are the exclusive property of A.Raymond.  
By using this Drawing the Addressee acknowledges and accepts that this Drawing (1) is covered by A.Raymond' intellectual property rights or know-how and (2) is provided under the following conditions who represent a Deposit Agreement.  
This Drawing is for Addressee' Internal use only limited to its estimation.  
Without prior written consent of A.Raymond, no permission or rights for any purpose, is hereby granted, such as, without any limitation, (1) the copy, in part or entirely, (2) and/or the presentation, in part or entirely, to any other third party outside the Addressee' company or in the company but with no interest (3) and/or the distribution of the Drawing, in part or entirely, in any medium (4) and/or the creation of any derivative work.  
In case of breach of these conditions, Addressee shall indemnify A.Raymond from and against all damages (compensatory or consequential), costs, expenses and charges, caused or arising out of or attributable to its willful misconduct, fraud, negligence, infringement of A.Raymond' intellectual property rights. If the Addressee does not accept these conditions, please notify A.Raymond' sender immediately.

Intellectual property rights vorbehalten / all rights reserved Classification code AABAE

Ersatz fuer/ substitute for	017928.c.01/A/03.08.2005	Entw.Ref./ dev.ref.		Projekt-Nr./ project no.	
-----------------------------	--------------------------	---------------------	--	--------------------------	--

Maassstab/ scale	5:1	Format	A2	Allgemeintoleranz/ general tolerance	±0.3 / ±5°	Datum/ date	14.04.2011
------------------	-----	--------	----	--------------------------------------	------------	-------------	------------

Erstellt von/ prepared by	M. Junge
---------------------------	----------

Freigegeben/ approved	20110415085411
-----------------------	----------------

Blechklaerung/ mat. thickness DIN EN 10258	0.60	Volumen/ volume (mm³)	267.6	Gewicht/ weight (g)	2.2
--	------	-----------------------	-------	---------------------	-----

Oberfl./ finish		Oberfl. Code/ finish code	6200
-----------------	--	---------------------------	------

Werkstoffbehandl./ material treatment

Werkstoff/ material	X5CrNi18-10 DIN EN 10088-2, Mat.-Nr. 1.4301	Mat. code	2104
---------------------	---	-----------	------

Festigkeit / tensile strength	1050-1200 N/mm²
-------------------------------	-----------------

Benennung/ title

Blechmutter fuer Gewinde EN ISO 1478 - ST4.8

sheet metal nut

for thread EN ISO 1478 - ST4.8

Teil-Nr./ part no.

017928-0-03

Drawing type

C:Customer

Kundenteile-Nr. / customer part no.	-	Blatt / sheet	1 / 1
-------------------------------------	---	---------------	-------

CAD system & version	ProE WF4	Dateiname / filename	017928-0C00
----------------------	----------	----------------------	-------------



Teil-Nr. / part no.	-	Oberflaeche / Farbe / finish / colour	-	Oberfl. Code/ finish code	-
Ausfuehrung / Execution					