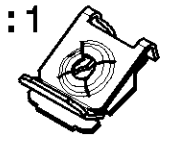


H G F E D C B A

Vue ISO  
Ech 1:1



Exemple d'utilisation :

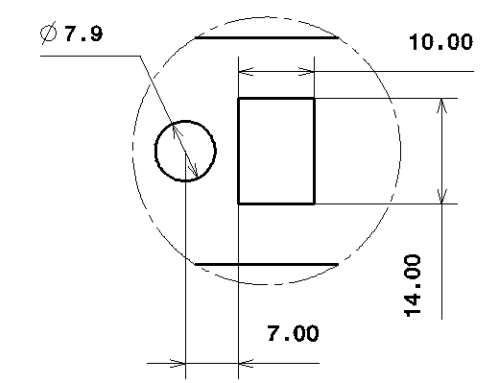
Se monte sur tôle épaisseur 2.00 à 3.50 mm

- Couple de vissage = à valider sur pièces série.
- Couple de ruine = à valider sur pièces série.

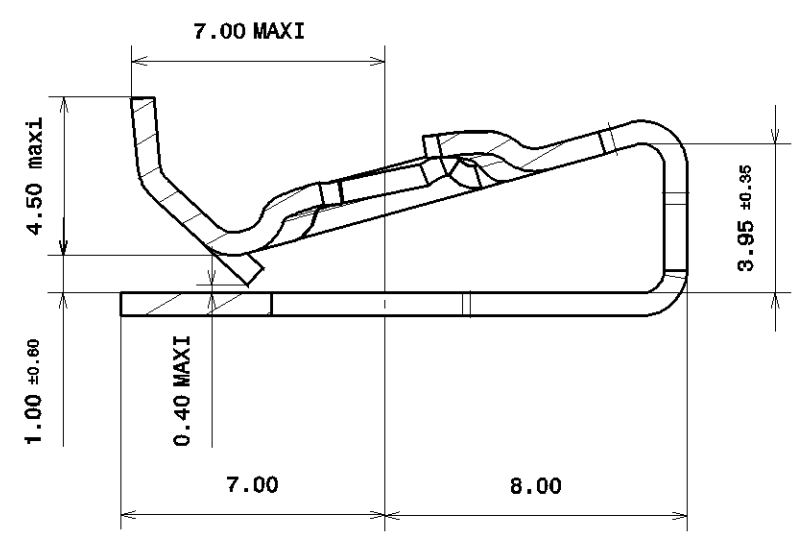
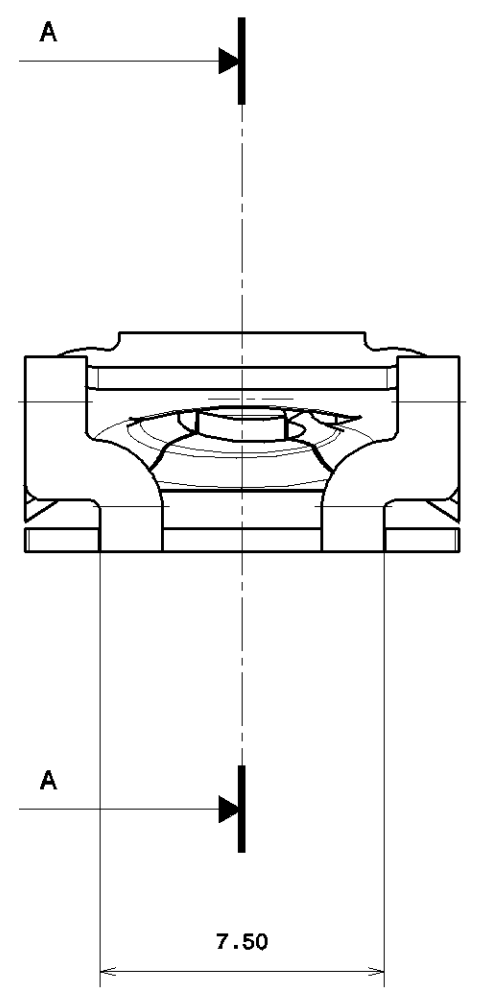
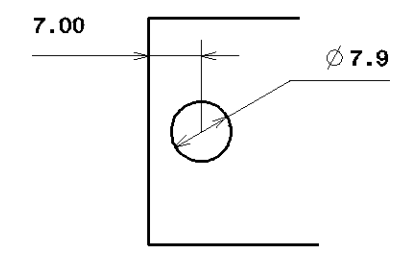
Ces efforts devront être validés sur les 1ères pièces série.

Formes préconisées:

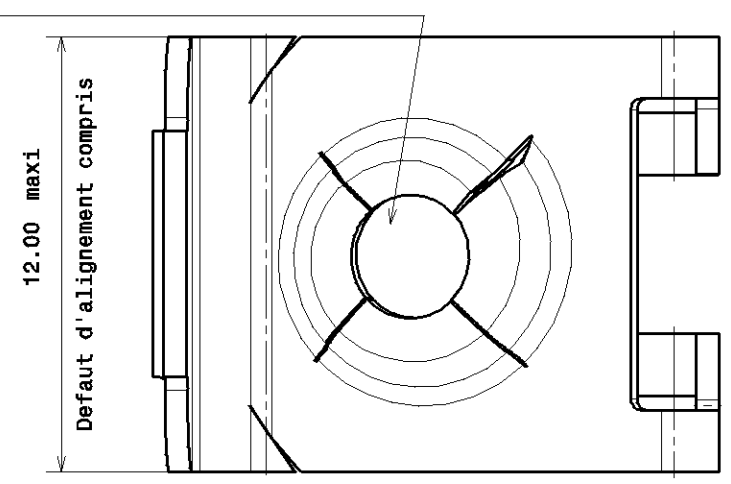
Milieu de tôle



Bord de tôle



Empreinte ST 4.8 fendue



A	--	MAJ pièce pour industrialisation / BEI	25-04-08	SV/jp			
a	2	Màj plan forme ST4.8 et griffes	18/04/08	jp			
Ind	Nb	DESCRIPTIONS / DESIGNATIONS	DATE	VISAS			
<p>Si problème de compréhension, merci de demander la version française à A.Raymond avant toute utilisation.                  If the addressee does not accept these conditions, please notify A.Raymond sender immediately.                  This drawing and all information (the Drawing) disclosed are the exclusive property of A.Raymond.                  By using this Drawing the Addressee acknowledges and accepts that this Drawing                  (i) is covered by A.Raymond intellectual property rights or know-how, and,                  (ii) is provided under the following conditions who represent a Deposit Agreement.                  This Drawing is for Addressee' internal use only limited to its estimation.                  Without prior written consent of A.Raymond, no permission or rights for any purpose, is hereby granted, such as, without any limitation,                  (1) the copy, in part or entirely                  (2) and/or the presentation, in part or entirely, to any other third party outside the Addressee' company or in the company but with no interest                  (3) and/or the distribution of the Drawing, in part or entirely, in any medium                  (4) and/or the creation of any derivative work.                  In case of breach of these conditions, Addressee shall indemnify A.Raymond from and against all damages (compensatory or consequential), costs, expenses and charges, caused or arising out of or attributable to its willful misconduct, fraud, negligence, infringement of A.Raymond' Intellectual Property rights.</p>							
FORMAT	EGH / SCALE	EP / TH(mm)	VOL (mm <sup>3</sup> )	POIDS (WEIGHT (g))	PLANCHE / SHEET	TOLERANCE dimension / angle	DATE
A3	1:1	0,60	174	1,3	1/1	±0.50 5°	07/03/2008
TRAITEMENT DE SURFACE OU COULEUR / SURFACE TREATMENT OR COLOR: <b>CrIII épaisse (XII)+ Zn(10-20µm)(I) - (type protolux 3000+Ecotri)- Tenue BS RR:408H</b>							
TRAITEMENT STRUCTURAL / MATERIAL TREATMENT: <b>C67S CR : &gt;0,5 : TTH.HR 30 N                  : 61,3 a 64,7 (42 a 46 HRC)</b>					REALISE / ACHIEVED: <b>PAQUET</b> VISA:		
MATIERE / MATERIAL: <b>ACIER C67S - A (recuit) G                  EPO60</b>					APPROUVE / APPROVED: <b>GELIBERT</b> VISA:		
LIBELLE / TITLE: <b>CLIP PRESTOLE</b>					BREVETS / PATENTS:		
REF. CLIENT / CUSTOMER DATA: -					NUMERO / NUMBER: <b>211439 - 0 - 00 C</b>		
PLAN REALISE EN CAO CATIA V5, NE PAS MODIFIER MANUELLEMENT / CATIA V5 CAD FILE, DO NOT MODIFY					<p>118, cours Berriat - BP157 38018 Grenoble cedex 1 France ; Tel. 04 78 33 49 49 ; Fax 04 78 78 20 50</p>		

VERIFIER L ECHELLE APRES PHOTOCOPIE / BEWARE SCALE AFTER COPY

<http://www.cergy-vis.fr>  
**[CERGY-VIS]**  
 ET SI ON PARLAIT SERVICE

H G F E D C B A