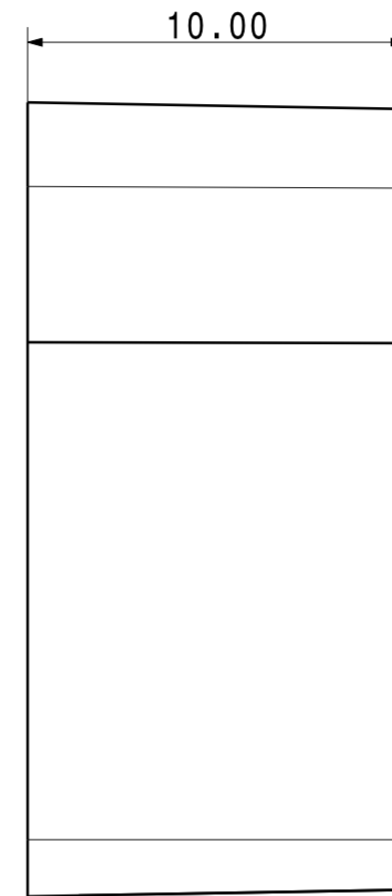
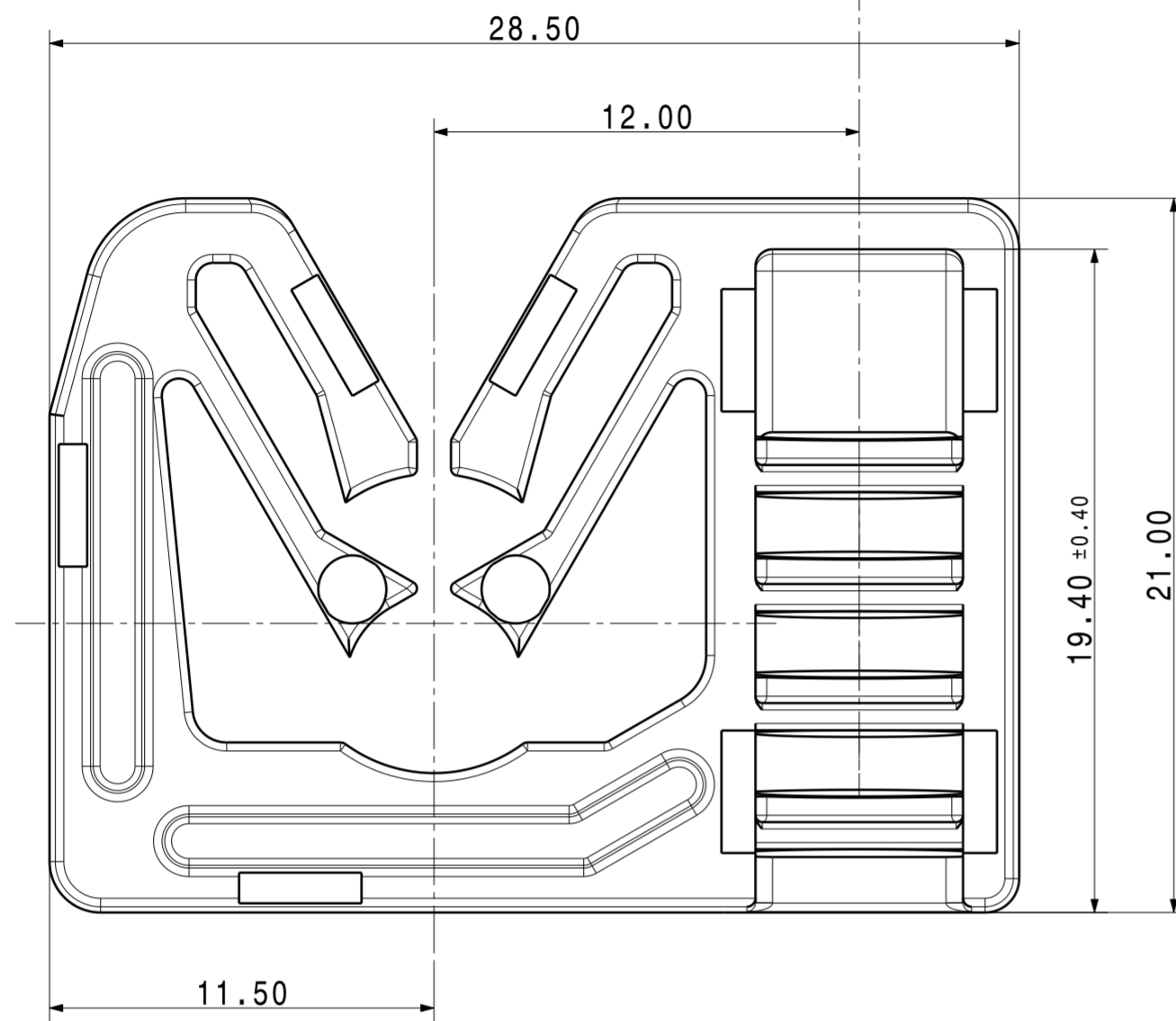
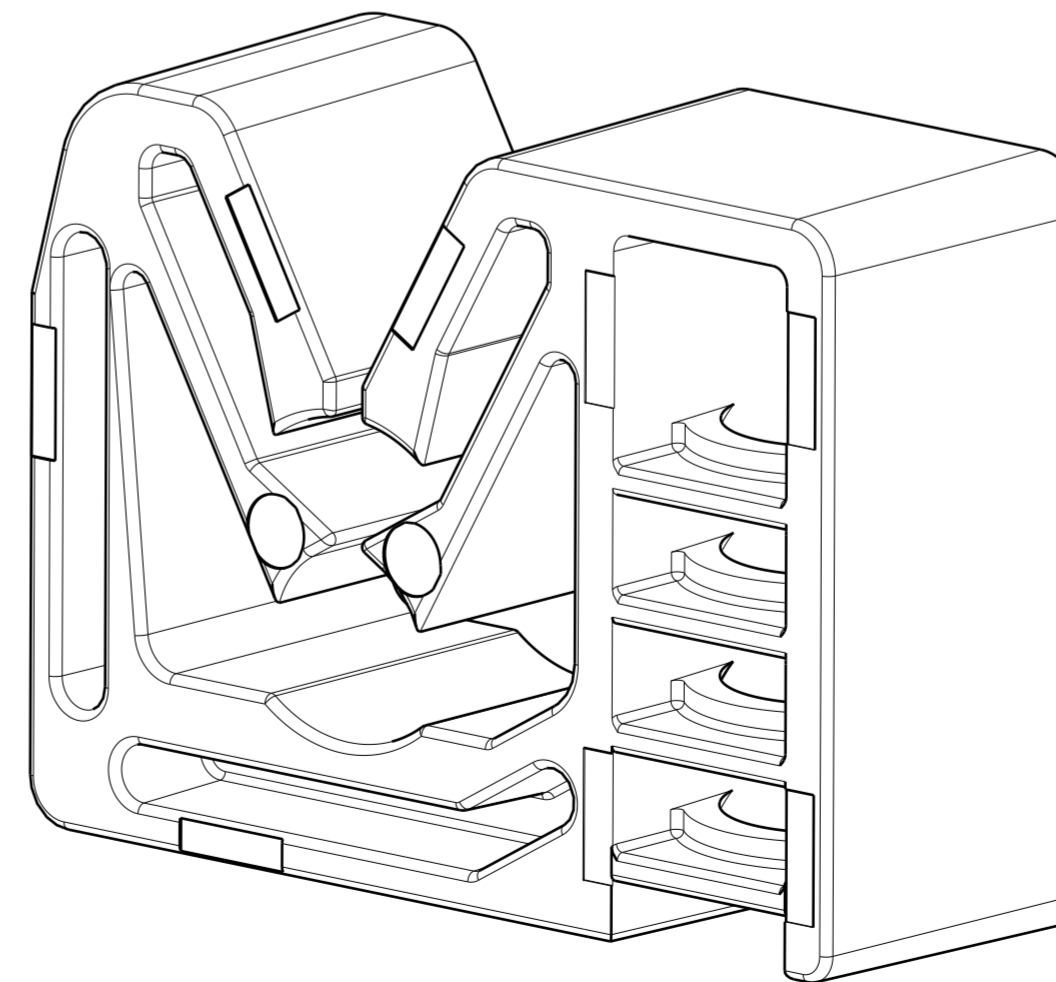


Variant	Matière / Material	Finition / Finishes	Poids (g) / Weight (g)
00	POM-C HI D NC Hostaform S9364 XAP2	Naturel Natural	3,9
01	POM-C HI BK Ultraform N2640 Z4 Noir	Noir Black	3,8
02	POM-C HI NC Ultraform N2640 Z6 Naturel	Noir Black	3,8

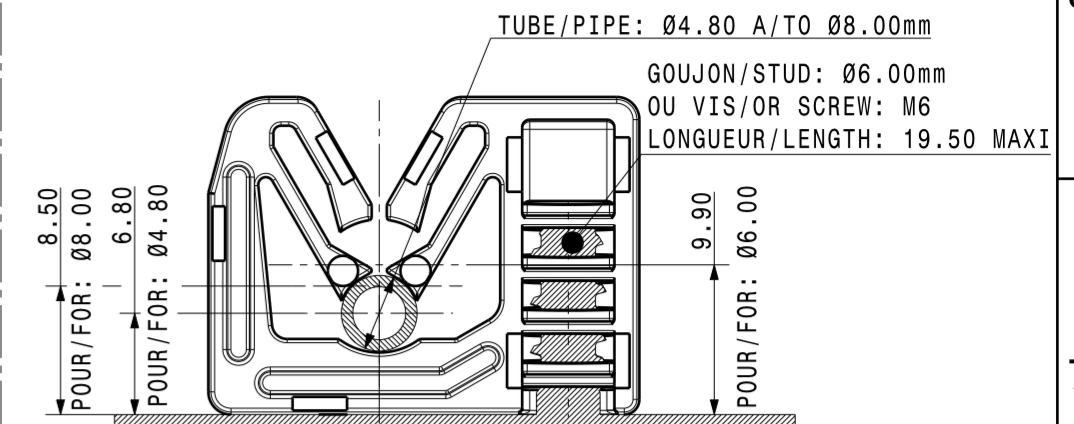


VUE ISOMETRIQUE / ISOMETRIC VIEW
ECHELLE / SCALE: 5:1



Une consultation préalable de A.Raymond SARL est nécessaire pour toute mise en place de la pièce en automatique.
Automatic processing of the part requires prior consultation with A.Raymond SARL.

EXEMPLE D'UTILISATION / USE CONDITION
ECHELLE / SCALE: 2:1



REV.	Quant.	Indice / revision description	Date	Name
Ah	-	UPDATED INDUSTRIALISATION / PASSAGE INDUSTRIALISATION / BEI	29.04.13	SGI
Ag	-	UPDATED INDUSTRIALIZATION / PASSAGE INDUSTRIALISATION / BEI	27.03.13	GPA
Af	-	MISE EN CONFORMITE DU PLAN / 3D / DRAWING COMPLIANCE / 3D	20.03.13	GPA
Ae	-	UPDATED DRAWING	02.04.12	GPA

ARaymond
113 cours Berriat BP 157
France - 38019 Grenoble cedex 1
Tel +33 (0) 4 76 33 49 49
Fax +33 (0) 4 76 78 20 50

Si problème de compréhension, merci de demander la version française à A.Raymond avant toute utilisation.
"CONDITIONS OF USE"
This drawing and all information (the "Drawing") disclosed are the exclusive property of A.Raymond.
By using this Drawing the Addressee acknowledges and accept that this Drawing
(1) is covered by A.Raymond intellectual property rights or Know-how and
(2) is provided under the following conditions who represent a Deposit Agreement.
This Drawing is for Addressee internal use only limited to its estimation.
Without prior written consent of A.Raymond, no permission or rights for any purpose, is hereby granted, such as, without any limitation,
(1) the copy, in part or entirely
(2) and/or the presentation, in part or entirely, to any other third party outside the Addressee company or in the company but with no interest
(3) and/or the distribution of the Drawing, in part or entirely, in any medium
(4) and/or the creation of any derivative work.
In case of breach of these conditions, Addressee shall indemnify A.Raymond from and against all damages (compensatory or consequential, costs, expenses and charges, caused or arising out of or attributable to its willful misconduct, fraud, negligence, infringement of A.Raymond Intellectual Property rights. If the Addressee does not accept these conditions, please notify A.Raymond sender immediately.

Brevets / Patent rights	Patented 414RG	Classification code BAEB-
N° Projet / Project No.	Origine / Origin	Chef de projet / Project Manager BHIRI.R
Echelle / scale	Format A2	Date Realise / Prepared by PAULIN.G
Tolerance / General tolerance Dimension ± 0,50 ± 5,00°		Approuve / Approved 20130429075800
ALL DIMENSIONS ARE IN MILLIMETERS		Volume (mm³) 2820
Epaisseur / Wat. thickness		Poids / Weight (g)

Finition /finish
See parts list
Voir tableau
Code finition
finish code

Traitement structural / Material treatment
Sans
Without

Matière / Material
See parts list
Voir tableau
Mat. code

Libelle / Title
Support tube
Pipe clip

Reference /Part no.
054799-0-00
Drawing type
C:Customer

Ref. client / Customer part no.
Planche / Sheet 1/1

CAD system & version CATIA V5 R19 SP9 Non fichier / File name 054799-0C00



VERIFIER L'ECHELLE APRES PHOTOCOPIE / BEWARE SCALE AFTER COPY