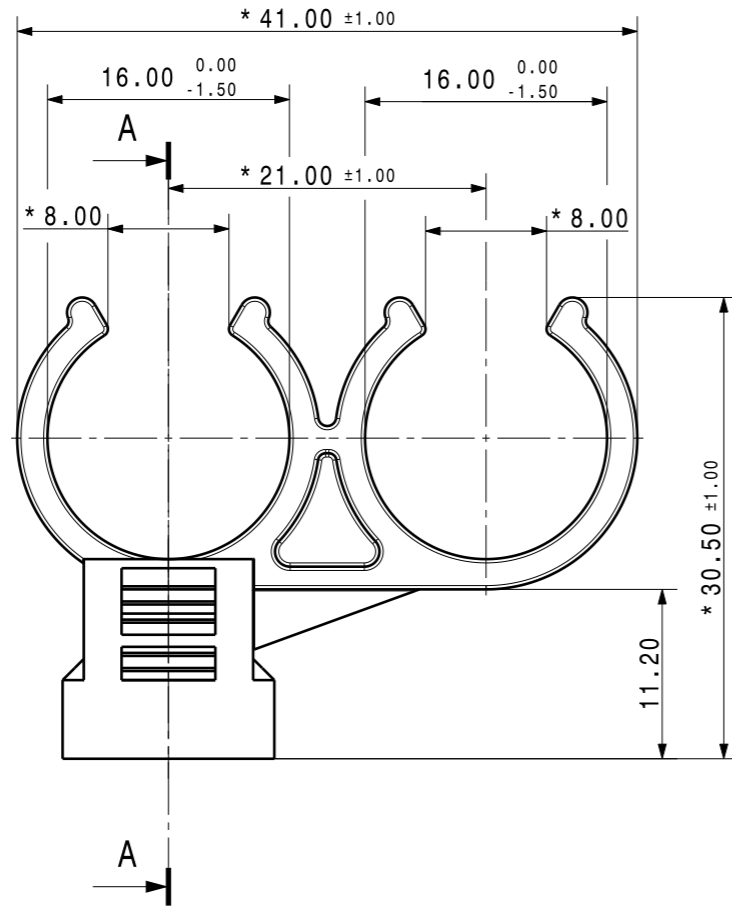
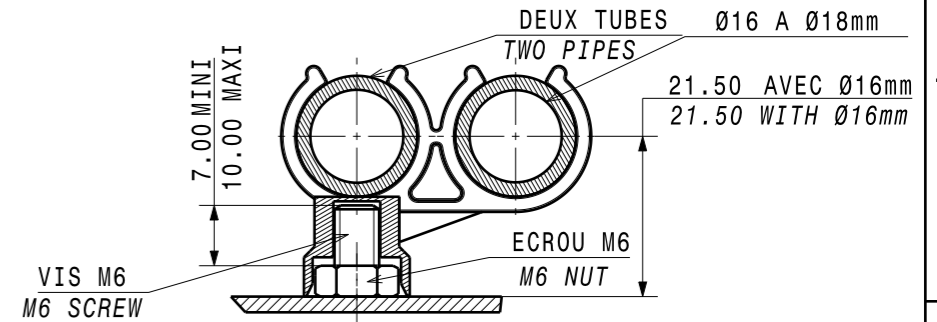


VUE ISOMETRIQUE ECHELLE 1:1
ISOMETRIC VIEW SCALE 1:1

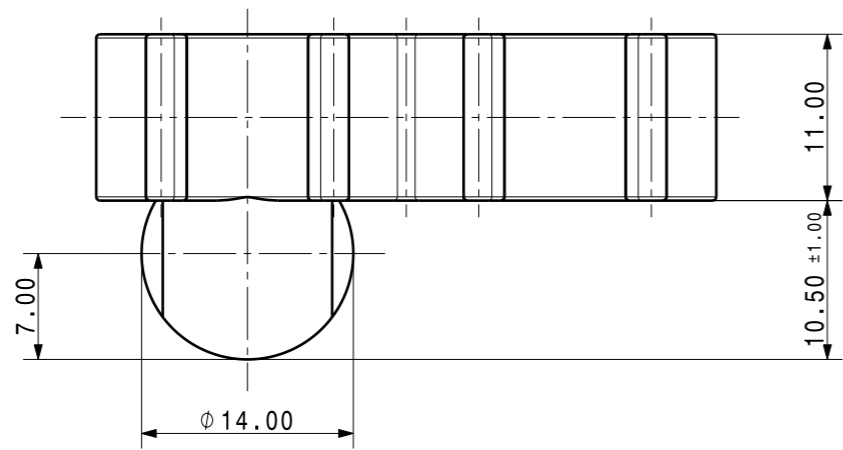
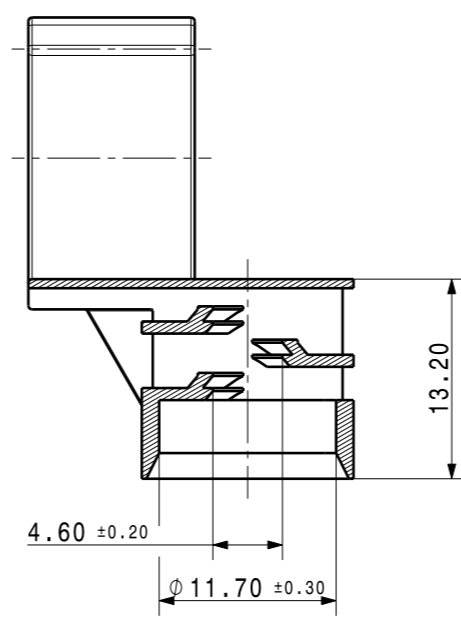


Une consultation préalable de A.Raymond SARL est nécessaire pour toute mise en place de la pièce en automatique.
Automatic processing of the part requires prior consultation with A.Raymond SARL.

CONDITIONS D'UTILISATION ECHELLE 1:1
USE CONDITIONS SCALE 1:1



COUPE A-A
A-A SECTION



LES COTES (*) SONT A CONTROLER AVEC DES PIGES Ø16.00h8 MISES EN PLACE DANS LEUR LOGEMENTS
(*) DIMENSIONS HAVE TO BE CHECKED WITH Ø16.00 GAUGES IN THEIR SEATS

ARaymond
113 cours Berriat BP 157
France - 38019 Grenoble cedex 1
Tel +33 (0) 4 76 33 49 49
Fax +33 (0) 4 76 78 20 50

Si problème de compréhension, merci de demander la version française à ARaymond avant toute utilisation.
"CONDITIONS OF USE"
This drawing and all information (the "Drawing") disclosed are the exclusive property of A.Raymond. By using this Drawing the Addressee acknowledges and accepts that this Drawing (1) is covered by A.Raymond intellectual property rights or know-how and (2) is provided under the following conditions which represent a Deposit Agreement. This Drawing is for Addressee internal use only limited to its estimation. Without prior written consent of A.Raymond, no permission or rights for any purpose, is hereby granted, such as, without any limitation, (1) the copy, in part or entirely (2) and/or the presentation, in part or entirely, to any other third party outside the Addressee company or in the company but with no interest (3) and/or the distribution of the Drawings, in part or entirely, in any medium (4) and/or the creation of any derivative work. In case of breach of these conditions, Addressee shall indemnify A.Raymond from and against all damages (compensatory or consequential), costs, expenses and charges, caused or arising out of or attributable to its willful misconduct, fraud, negligence, infringement of A.Raymond Intellectual Property rights. If the Addressee does not accept these conditions, please notify A.Raymond sender immediately.

Brevets / Patent rights		Classification code BBED-	
N° Projet / Project No.	Origine / Origin	Chef de projet / Project Manager PAULIN.G	
Echelle / scale 2:1	Format A3	Tolerance / General tolerance Dimension Angle ± 0.50 ± 5.00°	Date 05.07.2012
ALL DIMENSIONS ARE IN MILLIMETERS		Realise / Prepared by VIRGONA.B	
Epaisseur / Mat. thickness		Approuvé / Approved 20120705145043	Volume (mm³) 3310
		Poids / Weight (g) 4,5	

Finition / finish
Noir Black
Code finition finish code
-

Traitement structural / Material treatment
Sans Without

Matière / Material
POMC 0720 Naturel Hostaform S9364 XAP²
Mat. code
-

Libelle / Title
**Support tube
Pipe clip**

Reference / Part no.
055465-0-01
Drawing type
C:Customer

Aa	-	MISE A JOUR PLAN / UPDATING DRAWING	05.07.12	BVI
REV.	Quant.	Indice / revision description	Date	Name

Ref. client / Customer part no.
CAD system & version **CATIA V5 R19 SP7**
Nom fichier / File name **055465-0C01**
Planche / Sheet **1/1**

VERIFIER L ECHELLE APRES PHOTOCOPIE / BEWARE SCALE AFTER COPY