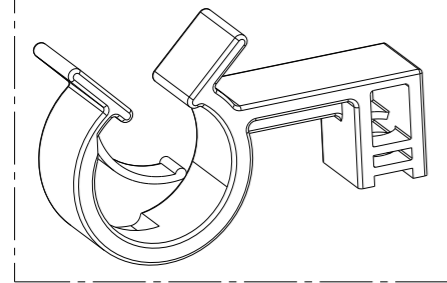
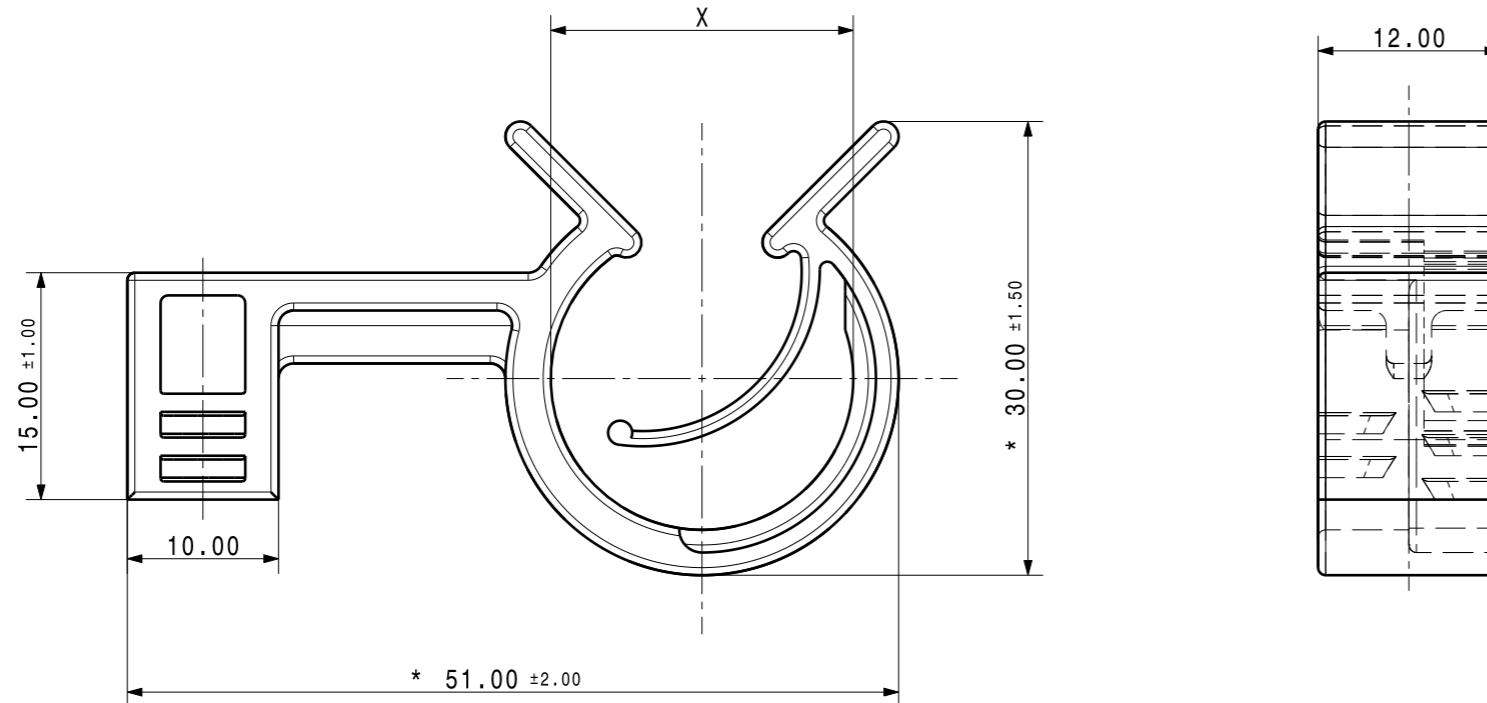
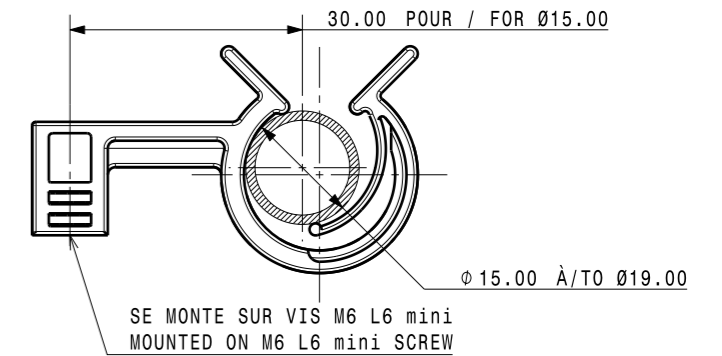


VUE ISOMÉTRIQUE Ech. 1:1
ISOMETRIC VIEW Scale 1:1



Une consultation préalable de A.Raymond SARL est nécessaire pour toute mise en place de la pièce en automatique.
Automatic processing of the part requires prior consultation with A.Raymond SARL.

EXEMPLE D'UTILISATION Ech. 1:1
CONDITION OF USE Scale 1:1



LES COTES (*) SONT À CONTRÔLER X = 20
DIMENSIONS (*) MUST BE MEASURED WITH X = 20



113 cours Berriat BP 157
France - 38019 Grenoble cedex 1
Tel +33 (0) 4 76 33 49 49
Fax +33 (0) 4 76 78 20 50

Si problème de compréhension, merci de demander la version française à ARaymond avant toute utilisation.

"CONDITIONS OF USE"

This drawing and all information (the "Drawing") disclosed are the exclusive property of A.Raymond. By using this Drawing the Addressee acknowledges and accepts that this Drawing (1) is covered by A.Raymond intellectual property rights or know-how and (2) is provided under the following conditions who represent a Deposit Agreement. This Drawing is for Addressee internal use only limited to its estimation. Without prior written consent of A.Raymond, no permission or rights for any purpose, is hereby granted, such as, without any limitation, (1) the copy, in part or entirely (2) and/or the presentation, in part or entirely, to any other third party outside the Addressee company or in the company but with no interest (3) and/or the distribution of the Drawings, in part or entirely, in any medium (4) and/or the creation of any derivative work. In case of breach of these conditions, Addressee shall indemnify A.Raymond from and against all damages (compensatory or consequential), costs, expenses and charges, caused or arising out of or attributable to its willful misconduct, fraud, negligence, infringement of A.Raymond Intellectual Property rights. If the Addressee does not accept these conditions, please notify A.Raymond sender immediately.

Brevets / Patent rights		Classification code BAEB-	
N° Projet / Project No.	Origine / Origin	Chef de projet / Project Manager GIRAUD.S	
Echelle / scale 2:1	Format A3	Tolerance / General tolerance Dimension Angle ± 0.50 ± 5.00°	Date 22.11.1990
ALL DIMENSIONS ARE IN MILLIMETERS		Realise / Prepared by CARRETERO.F	
Epaissieur / Mat. thickness		Volume (mm³) 4115	Poids / Weight (g) 4,5

Finition / finish Noir Black	Code finition finish code -
--	---------------------------------------

Traitement structural / Material treatment REPRISE D'HUMIDITE 2% MINI 2% mini of Humidity rework
--

Matiere / Material PA 6 HI BK Ultramid B3L Noir 00464	Mat. code -
---	-----------------------

Libelle / Title
**Support tube
1 VOIE SUR VIS M6 L6 mini
Pipe clip
1 WAY ON M6 L6 SCREW**

Reference / Part no. 055689-0-01	Drawing type C-Customer
--	-----------------------------------

Ref. client / Customer part no.	Planche / Sheet 1/1
CAD system & version CATIA V5 R19 SP9	Nom fichier / File name 055689-0C01

REV.	Quant.	Indice / revision description	Date	Name
Bd	-	MISE A JOUR TOLÉRANCES GÉNÉRALES / UPDATE OF GENERAL TOLERANCES	30.09.13	FCA
Bc	-	CRÉATION DU PLAN CLIENT SUR CATIA / CREATION OF CUSTOMER DRAWING ON CATIA CAD	23.05.13	FCA

VERIFIER L ECHELLE APRES PHOTOCOPIE / BEWARE SCALE AFTER COPY