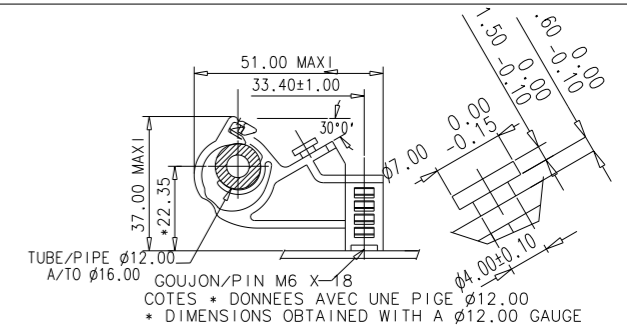


Une consultation préalable de A.Raymond SARL est nécessaire pour toute mise en place de la pièce en automatique.
Automatic processing of the part requires prior consultation with A.Raymond SARL.



Exemple d'utilisation/Use condition
Echelle/Scale : 1:2



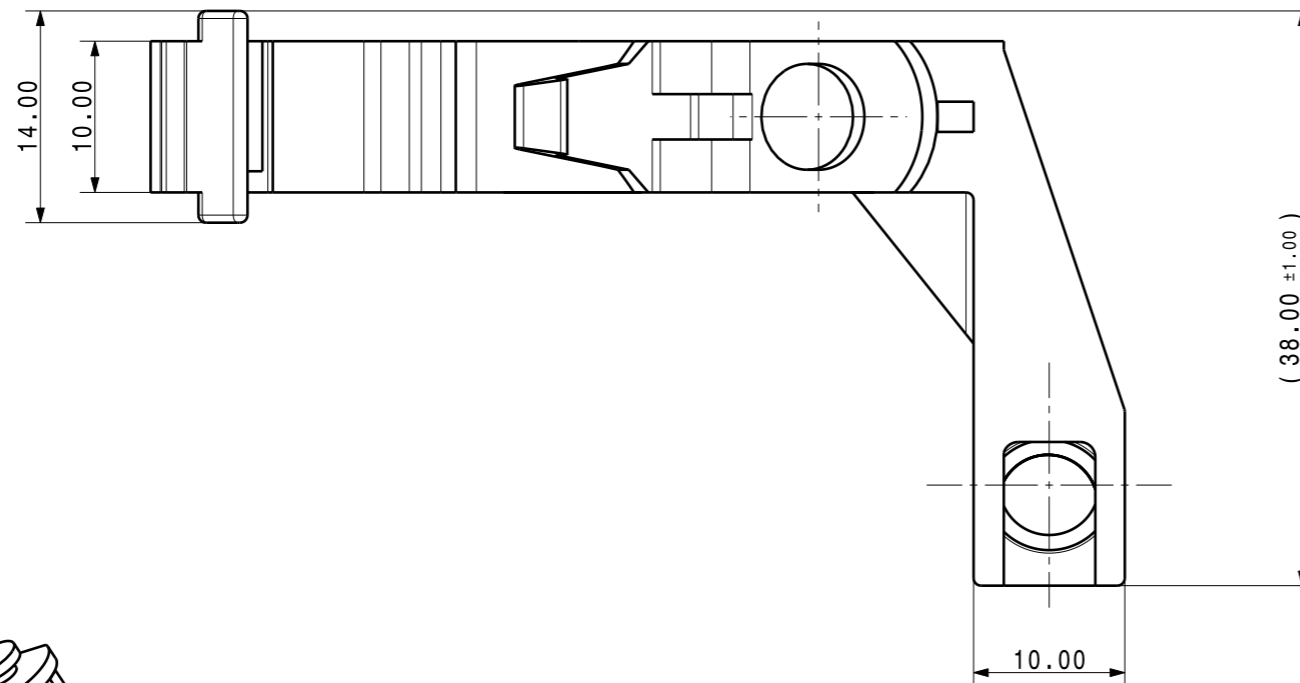
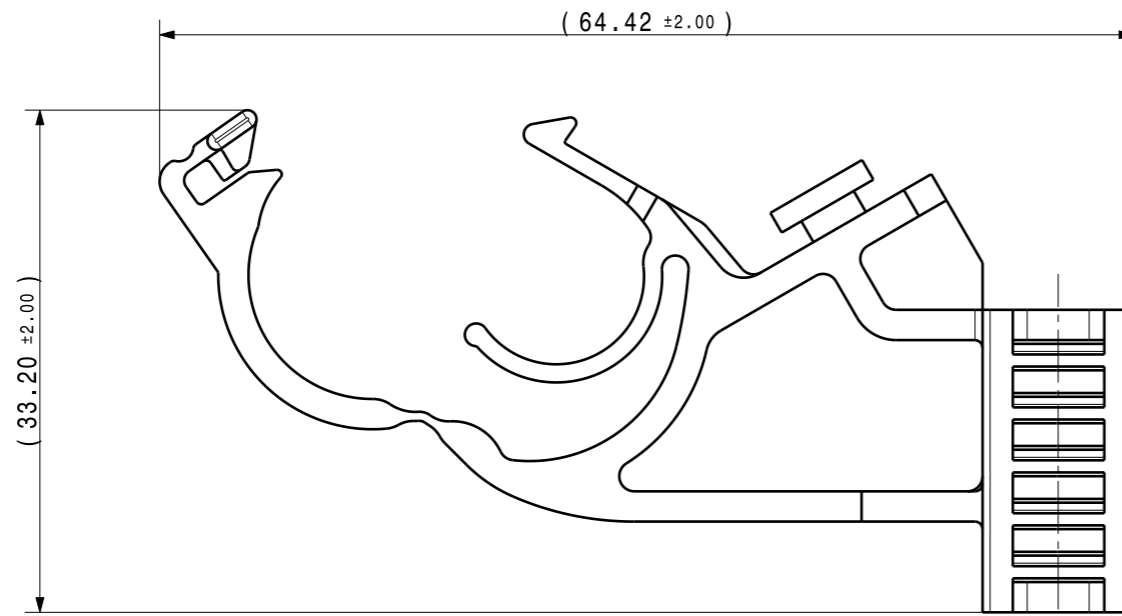
A.Raymond

113 cours Berriat BP 157
France - 38019 Grenoble cedex 1
Tel +33 (0) 4 76 33 49 49
Fax +33 (0) 4 76 78 20 50

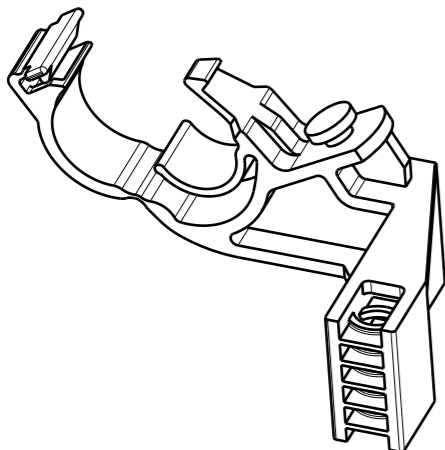
Si probleme de comprehension, merci de demander la version française a ARaymond avant toute utilisation.

If the addressee does not accept these conditions, please notify A.Raymond sender immediately.
This drawing and all information (the Drawing) disclosed are the exclusive property of A.Raymond.
By using this Drawing the Addressee acknowledges and accepts that this Drawing (1) is covered by A.Raymond intellectual property rights or know-how, and, (ii) is provided under the following conditions who represent a Deposit Agreement.
This Drawing is for Addressee' internal use only limited to its estimation.
Without prior written consent of A.Raymond, no permission or rights for any purpose, is hereby granted, such as, without any limitation,
(1) the copy, in part or entirely
(2) and/or the presentation, in part or entirely, to any other third party outside the Addressee' company or in the company but with no interest
(3) and/or the distribution of the Drawing, in part or entirely, in any medium
(4) and/or the creation of any derivative work.
In case of breach of these conditions, Addressee shall indemnify A.Raymond from and against all damages (compensatory or consequential), costs, expenses and charges, caused or arising out of or attributable to its willful misconduct, fraud, negligence, infringement of A.Raymond' Intellectual Property rights.

Brevets / Patent rights		Safix code BAED-	
N° Projet -	Origine / Origin	Chef de projet / Project Manager	
Echelle / scale 2:1	Format A3	Tolerance / General tolerance Dimension Angle ± 0.50 ± 5.00°	Date 01.07.2010
ALL DIMENSIONS ARE IN MILLIMETERS		Realise / Prepared by AILHAS.F	Approuve / Approved 20100701070716
Epaisseur / Mat. thickness -		Volume (mm³) 5956	Poids / Weight (g) 6.6
Finition /finish Noir Black			Code finition finish code -
Traitement structural / Material treatment REPRISE D'HUMIDITE 2% MINI 2% mini of Humidity rework			
Matiere / Material PA6 22			Mat. code -
Libelle / Title Support tube Pipe clip			
Reference /Part no. 056081-0-00		Drawing type C : Customer	
Aa - version originale / initial release		Ref. client / Customer part no.	
REV. Quant. Indice / revision description		CAD system & version CATIA V5 R19 SP7	
		Nom fichier / File name 056081-0C00	



Vue iso/3D view
Echelle/Scale : 1:1



Aa	-	version originale / initial release	01.07.10	FAI
REV.	Quant.	Indice / revision description	Date	Name

VERIFIER L ECHELLE APRES PHOTOCOPIE / BEWARE SCALE AFTER COPY

4
3
2
1

4
3
2
1