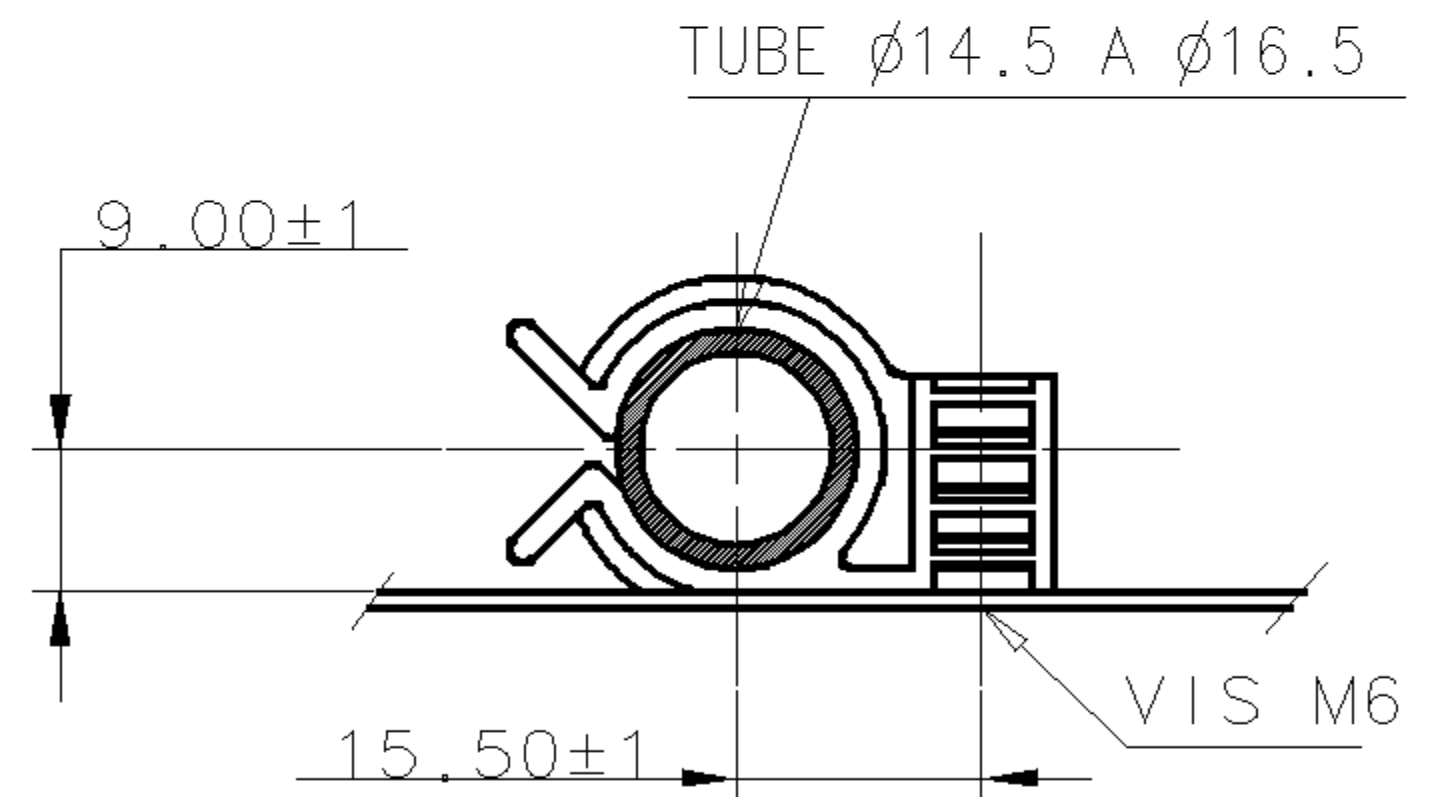


LES COTES AYANT UN (*) DOIVENT ETRE VERIFIEES
DES PIGES ø15h8 SONT MISES EN PLACE
DANS LE LOGEMENT AU PREALABLE

USE CONDITION:
SCALE: 1/1
FITTING TOOL:
EXEMPLE D'UTILISATION:
ECHELLE: 1/1
MOYEN DE POSE:



VERIFIER L ECHELLE APRES PHOTOCOPIE / BEWARE SCALE AFTER COPY



a // mise à jour ideas		05/02/08	R.L.
IND	Nb DIM	DESCRIPTIONS / DESIGNATIONS	DATE VISAS
<p>If the addressee does not accept these conditions, please notify A.Raymond sender immediately. Si problème de compréhension, merci de demander la version française à A.Raymond avant toute utilisation.</p> <p>This drawing and all information (the "Drawing") disclosed are the exclusive property of A.Raymond. By using this Drawing the Addressee acknowledges and accepts that this Drawing (1) is covered by A.Raymond intellectual property rights or know-how, and, (2) is provided under the following conditions who represent a Deposit Agreement. This Drawing is for Addressee' internal use only limited to its estimation. Without prior written consent of A.Raymond, no permission or rights for any purpose, is hereby granted, such as, without any limitation, (1) the copy, in part or entirely, (2) and/or the presentation, in part or entirely, to any other third party outside the Addressee' company or in the company but with no interest (3) and/or the distribution of the Drawing, in part or entirely, in any medium (4) and/or the creation of any derivative work. In case of breach of these conditions, Addressee shall indemnify A.Raymond from and against all damages (compensatory or consequential), costs, expenses and charges, caused or arising out of or attributable to its willful misconduct, fraud, negligence, infringement of A.Raymond' intellectual Property rights.</p>			
FORMAT A3	SCALE/ECH 3/1	TH/EP(mm)	VOL(mm3)
WEIGHT/POIDS(g)	SHEET/PLANCHE	TOLERANCE dimension / angle ± 0.5 -5	DATE 26/06/96
SURFACE TREATMENT OR COLOR / TRAITEMENT DE SURFACE OU COULEUR: Noir			
MATERIAL TREATMENT / TRAITEMENT STRUCTURAL: SANS		ACHIEVED/REALISE: F. CARETERO	
MATERIAL / MATIERE: COMPOUND (Type Zytel 408 +Zytel 101)		APPROVED/APPROUVE: PH. PITTION	
TITLE / LIBELLE: SUPPORT DETUBE SUR GOUJON M6		PATENTS/BREVETS:	
CUSTOMER DATA / REF. CLIENT:			
NUMBER / NUMERO: 108233 .000			
I-Deas MS10 CAD FILE DO NOT MODIFY / PLAN REALISE EN CAO I-Deas MS10 NE PAS MODIFIER MANUELLEMENT			

113, cours Berriat ,BP 157 ,38019 Grenoble cedex 1 France ; Tel 04 76 33 49 49 ; Fax 04 76 48 20 50