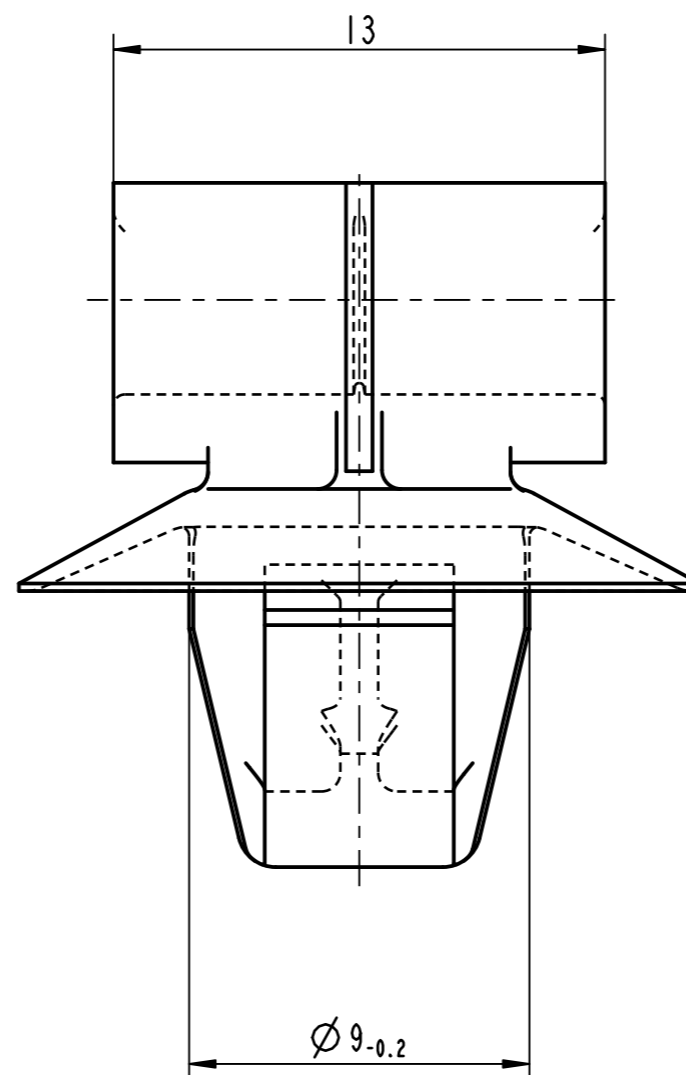
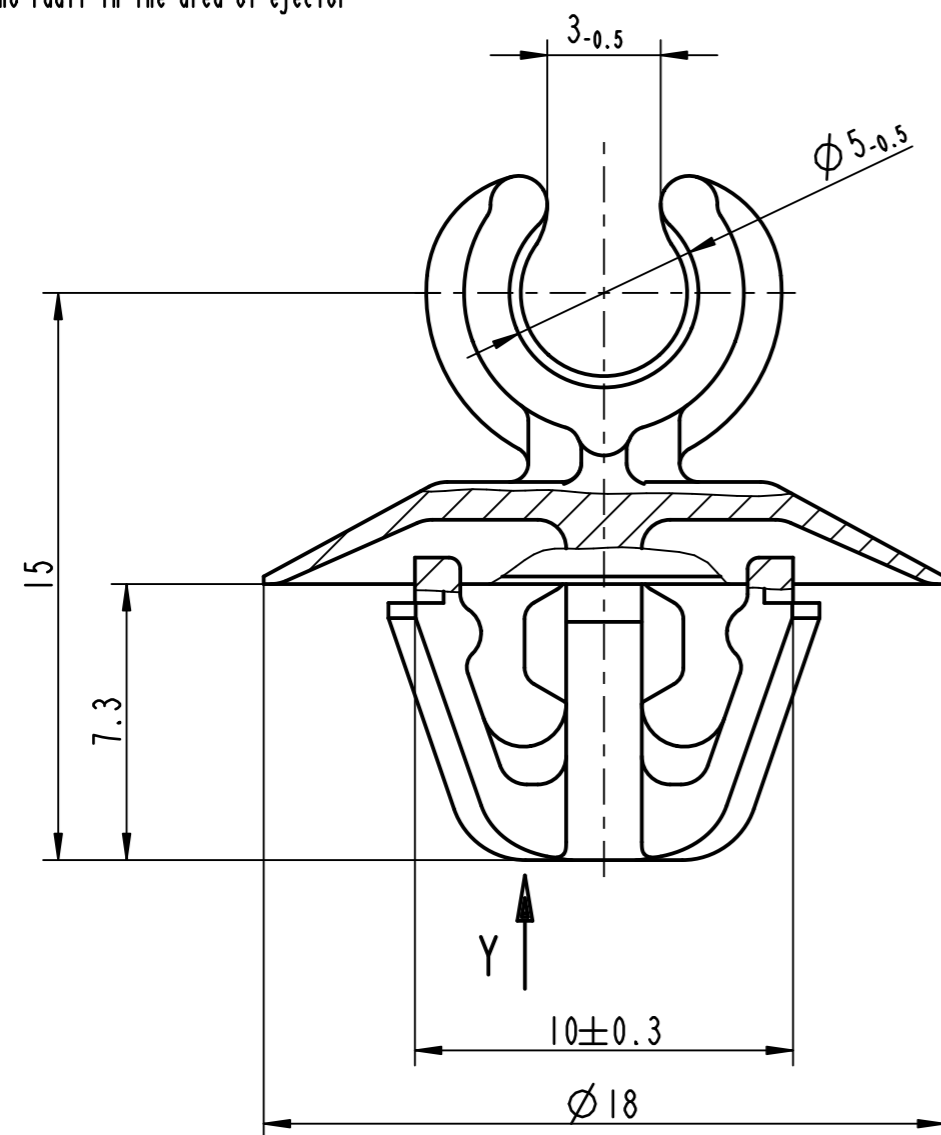
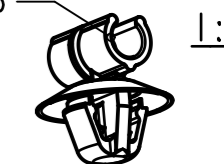


im Auswerferbereich keine Radien
no radii in the area of ejector



passend fuer Rohr- oder Schlauch- \varnothing 5
applicable for pipe- or hose diameter 5

Befest. - Loch = \varnothing 9
Fastening hole
Befest. - Dicke = 0,7 . . . 1,3
Fastening thickness



-	-	-	-	-	-
-	-	-	-	-	-
-	-	-	-	-	-
-	-	-	-	-	-
-	-	-	-	-	-
-	-	-	-	-	-
-	-	-	-	-	-

Fb	-	Zeichn. ueberarbeit. nach AR- Gruppenstandard, Teil unveraend.	07.09.10	Sp
Rev.	Anzahl/ quantity	Aenderungsbeschreibung / modification description	Datum/date	Name

A Raymond GmbH & Co. KG
Teichstrasse 57
Germany - 79511 Loerrach
Phone +49 (0) 7621 174-0
Fax +49 (0) 7621 174-225

Bei Verstaendnisproblemen beantragen Sie bitte beim Absender die deutsche Fassung vor jeder Anwendung.
"CONDITIONS OF USE"
This drawing and all information (the "Drawing") disclosed are the exclusive property of A.Raymond. By using this Drawing the Addressee acknowledges and accepts that this Drawing (1) is covered by A.Raymond' intellectual property rights or know-how and (2) is provided under the following conditions which represent a Deposit Agreement. This Drawing is for Addressee' internal use only limited to its estimation. Without prior written consent of A.Raymond, no permission or rights for any purpose, is hereby granted, such as, without any limitation, (1) the copy, in part or entirely, (2) and/or the presentation, in part or entirely, to any other third party outside the Addressee' company or in the company but with no interest (3) and/or the distribution of the Drawing, in part or entirely, in any medium (4) and/or the creation of any derivative work. In case of breach of these conditions, Addressee shall indemnify A.Raymond from and against all damages (compensatory or consequential), costs, expenses and charges, caused or arising out of or attributable to its willful misconduct, fraud, negligence, infringement of A.Raymond' intellectual property rights. If the Addressee does not accept these conditions, please notify A.Raymond' sender immediately.

Schutzrechte/ patent rights	vorbehalten / all rights reserved		Classification Code	BADA-
Ersatz fuer/ substitutue for	018441000 / Fa / 17.06.2009	Entw.Ref./ dev.ref.	Projekt-Nr./ project no.	

Masstab/ scale	Format	Allgemeintoleranz/ general tolerance	Datum/ date	07.09.2010
5:1	A3	siehe Tabelle/see table	Erstellt von/ prepared by	M. Schnurpfeil

Projektion / projection	ALL DIMENSIONS ARE IN MILLIMETERS	Freigegeben/ approved	20100908043636		
Blechdicke/ mat. thickness DIN EN 10140	-	Volumen/ volume (mm ³)	753	Gewicht/ weight (g)	1.04

Oberfl./ finish	-	Oberfl. Code/ finish code	-
--------------------	---	------------------------------	---

Werkstoffbehandl./ material treatment	/		
--	---	--	--

Werkstoff/ material	POM - C - mod.weich POM - C - mod. soft	Mat. code	5557
------------------------	--	-----------	------

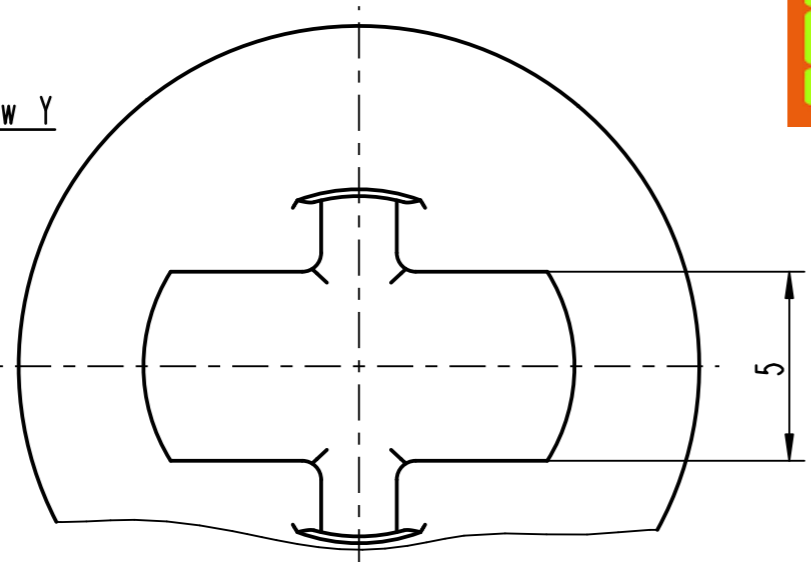
Benennung/ title	Schlauchhalter hose clip		
---------------------	-----------------------------	--	--

Teil-Nr./ part no.	018441-0-00	Drawing type	Customer
-----------------------	-------------	--------------	----------

Kundenteile-Nr. / customer part no.	-	Blatt / sheet	1 / 1
CAD system & version	ProE WF3	Dateiname / filename	018441-0C00

<http://www.cergy-vis.fr>
[CERGY-VIS]
ET SI ON PARLAIT SERVICE

Ansicht/view Y



Pruefvorschrift / Test specification

Montagekraft in Loch \varnothing 9 F 1 = max.90N
Push-in-force in hole \varnothing 9
Demontagekraft Stift \varnothing 5 F 2 = min.50N,max.70N
Pull - off - forc pin \varnothing 5

>400 <= 1000	±2
>120 <= 400	±1.5
> 30 <= 120	±1
> 6 <= 30	±0.5
<= 6	±0.25
Winkel / Angle	±3°

Allgemeintoleranzen fuer
Nennmaesse ohne Toleranz.
General tolerances for
nominal dimensions without
specified tolerance.

018441-0-00	schwarz black	SW	7000
Teil-Nr. / part no.	Oberflaeche / Farbe / finish / colour	Oberfl. Code/ finish code	Ausfuehrung / Execution