

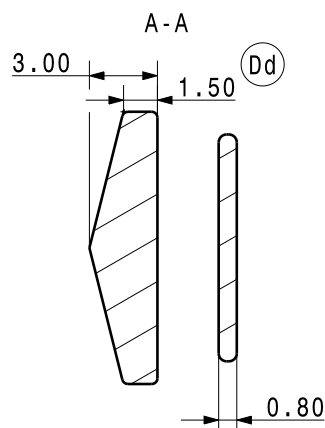
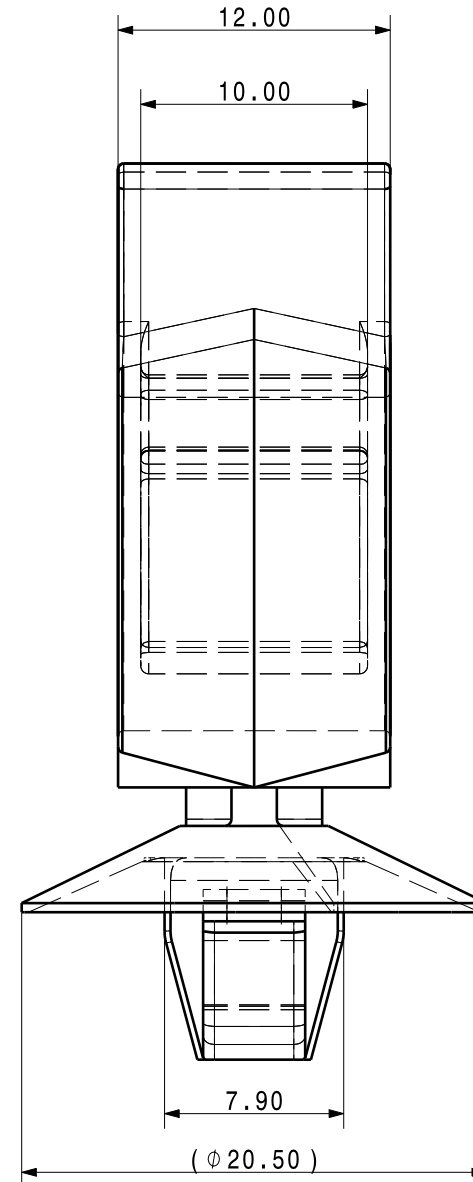
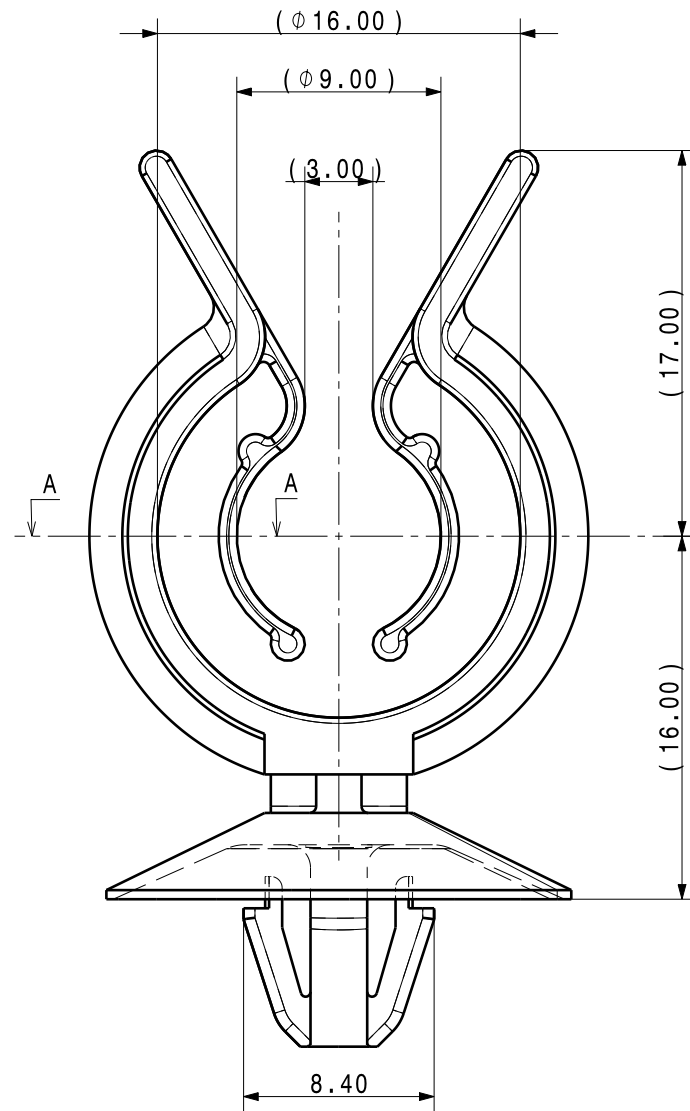
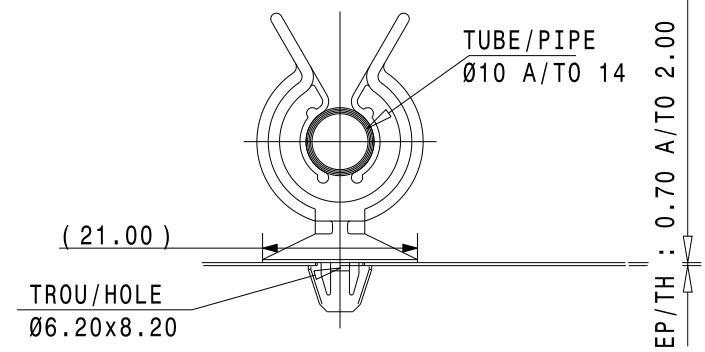
Variant	Matière / Material	Traitement / Material treatments	Finition / Finishes	Poids (g) / Weight (g)
01	POMC 1820	Sans Without	Noir Black	3,5
02	PA6 22	REPRISE D'HUMIDITE 2% MINI 2% mini of Humidity rework	Marron Brown	2,8
03	PA66 12	Sans Without	Noir Black	2,8



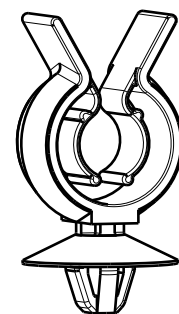
Une consultation préalable de A.Raymond SARL est nécessaire pour toute mise en place de la pièce en automatique.
Automatic processing of the part requires prior consultation with A.Raymond SARL.

EXEMPLE D'UTILISATION/USE CONDITION

ECHELLE/SCALE : 1:1



VUE ISO/3D VIEW
ECHELLE/SCALE : 1:1



A Raymond
113 cours Berriat BP 157
France - 38019 Grenoble cedex 1
Tel +33 (0) 4 76 33 49 49
Fax +33 (0) 4 76 78 20 50

Si problème de compréhension, merci de demander la version française à A.Raymond avant toute utilisation.
"CONDITIONS OF USE"
This drawing and all information (the "Drawings") disclosed are the exclusive property of A.Raymond. By using this Drawing the Addressee acknowledges and accepts that this Drawing (1) is covered by A.Raymond intellectual property rights or know-how and (2) is provided under the following conditions who represent a Deposit Agreement. This Drawing is for Addressee internal use only limited to its estimation. Without prior written consent of A.Raymond, no permission or rights for any purpose, is hereby granted, such as, without any limitation, (1) the copy, in part or entirely (2) and/or the presentation, in part or entirely, to any other third party outside the Addressee company or in the company but with no interest (3) and/or the distribution of the Drawings, in part or entirely, in any medium (4) and/or the creation of any derivative work. In case of breach of these conditions, Addressee shall indemnify A.Raymond from and against all damages (compensatory or consequential), costs, expenses and charges, caused or arising out of or attributable to its willful misconduct, fraud, negligence, infringement of A.Raymond Intellectual Property rights. If the Addressee does not accept these conditions, please notify A.Raymond sender immediately.

Brevets / Patent rights		Classification code BADA-	
N° Projet / Project No.	Origine / Origin	Chef de projet / Project Manager	
Echelle / scale 3:1	Format A3	Tolerance / General tolerance Dimension ± 0.50 Angle $\pm 5.00^\circ$	Date
ALL DIMENSIONS ARE IN MILLIMETERS		Realise / Prepared by AILHAS.F	
Epaissur / Mat. thickness		Volume (mm³) 2524	Poids / Weight (g)

Finition / finish
Voir nomenclature See parts list

Traitement structural / Material treatment
Voir nomenclature See parts list

Matière / Material
Voir nomenclature See parts list

Libelle / Title
**Support tube
Pipe clip**

Reference / Part no. **055259-0-01** Drawing type **C:Customer**

Ref. client / Customer part no. Planche / Sheet **1/1**

CAD system & version **CATIA V5 R19 SP7** Nom fichier / File name **055259-0C01**

REV.	Quant.	Indice / revision description	Date	Name
Dd	-	DRAWING UPDATED	15.05.12	GPA
Dc	-	UPDATED DRAWING	23.03.11	FAI

VERIFIER L ECHELLE APRES PHOTOCOPIE / BEWARE SCALE AFTER COPY