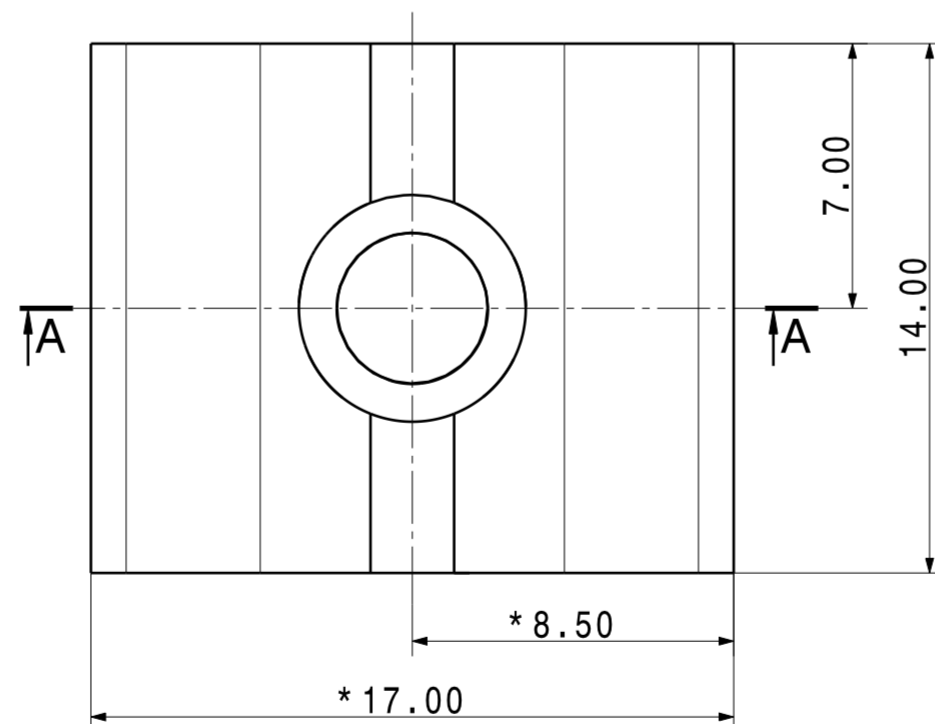
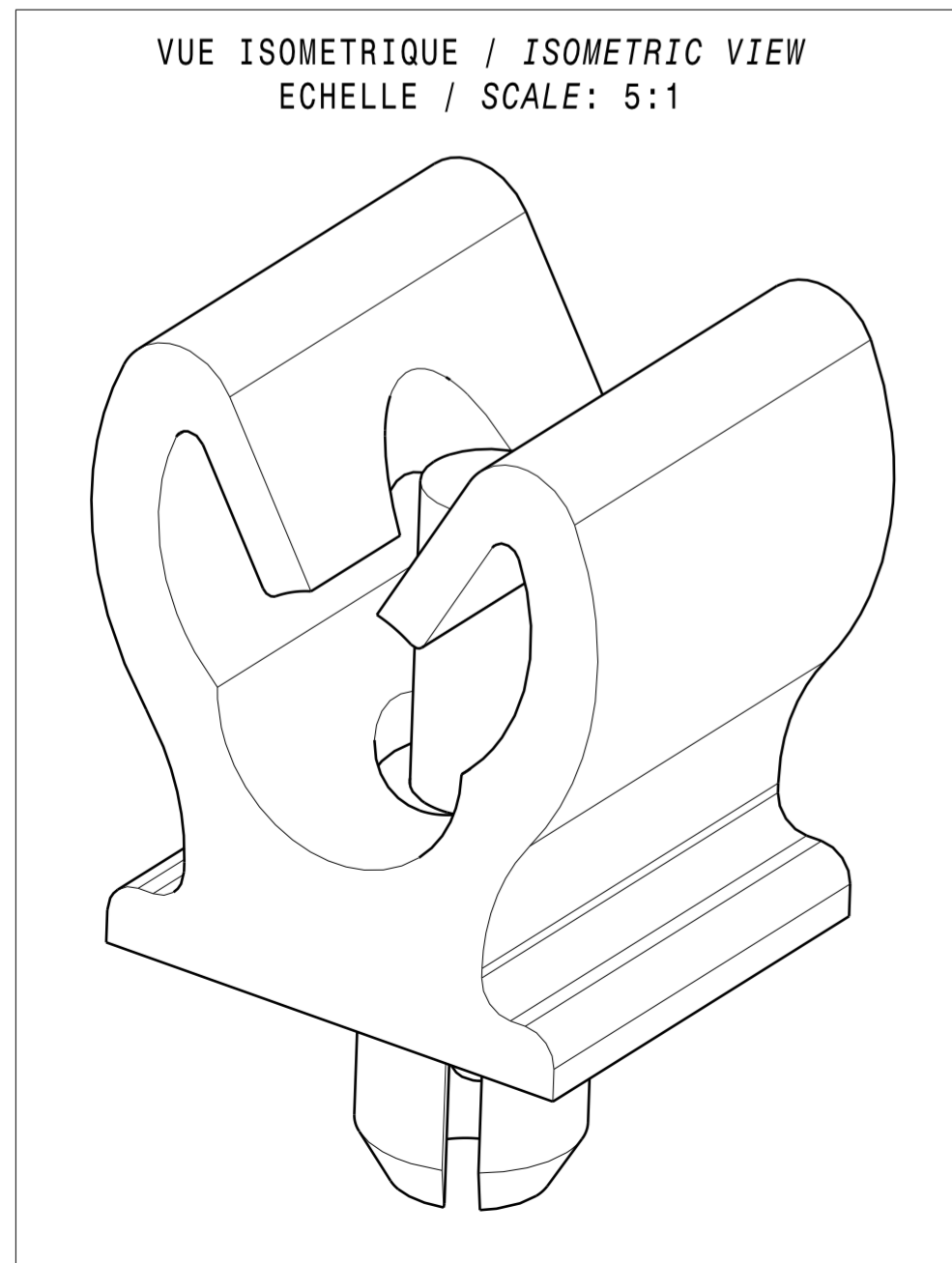
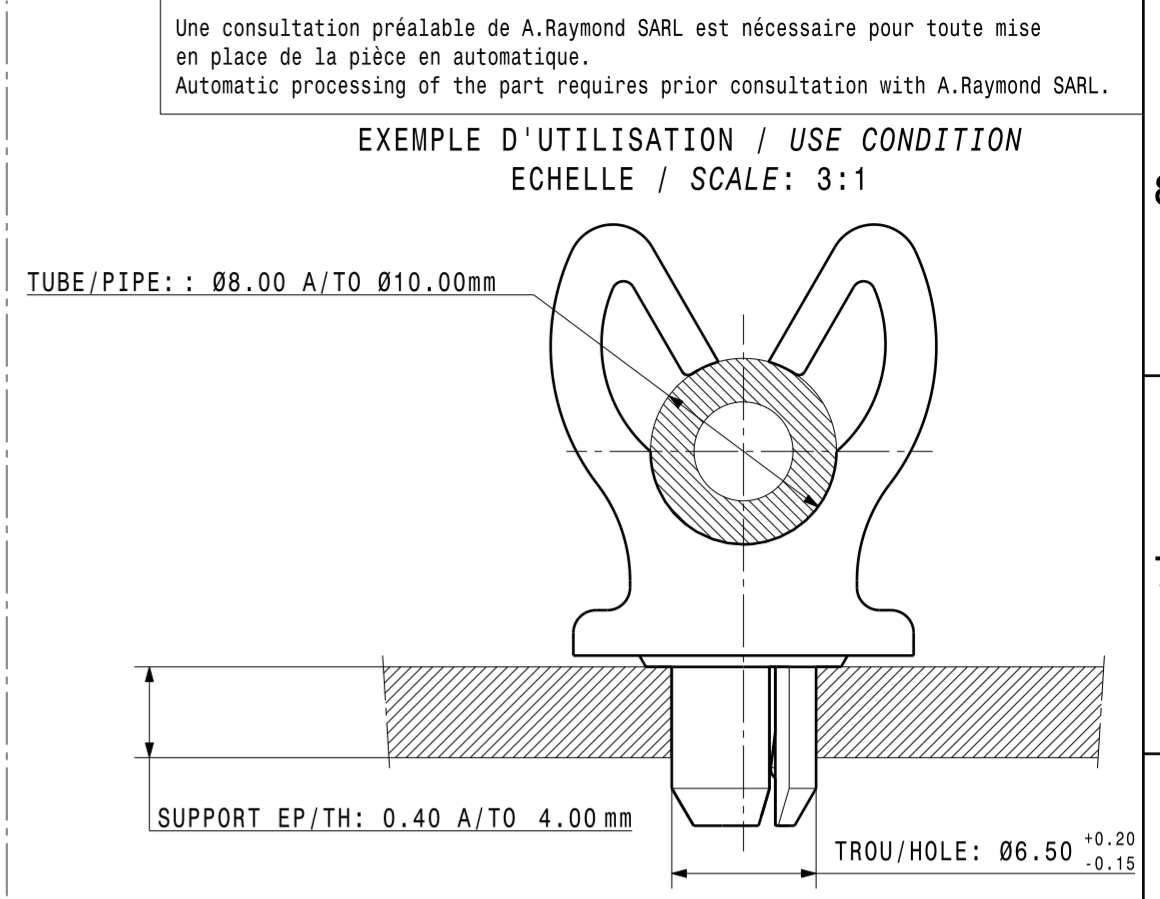
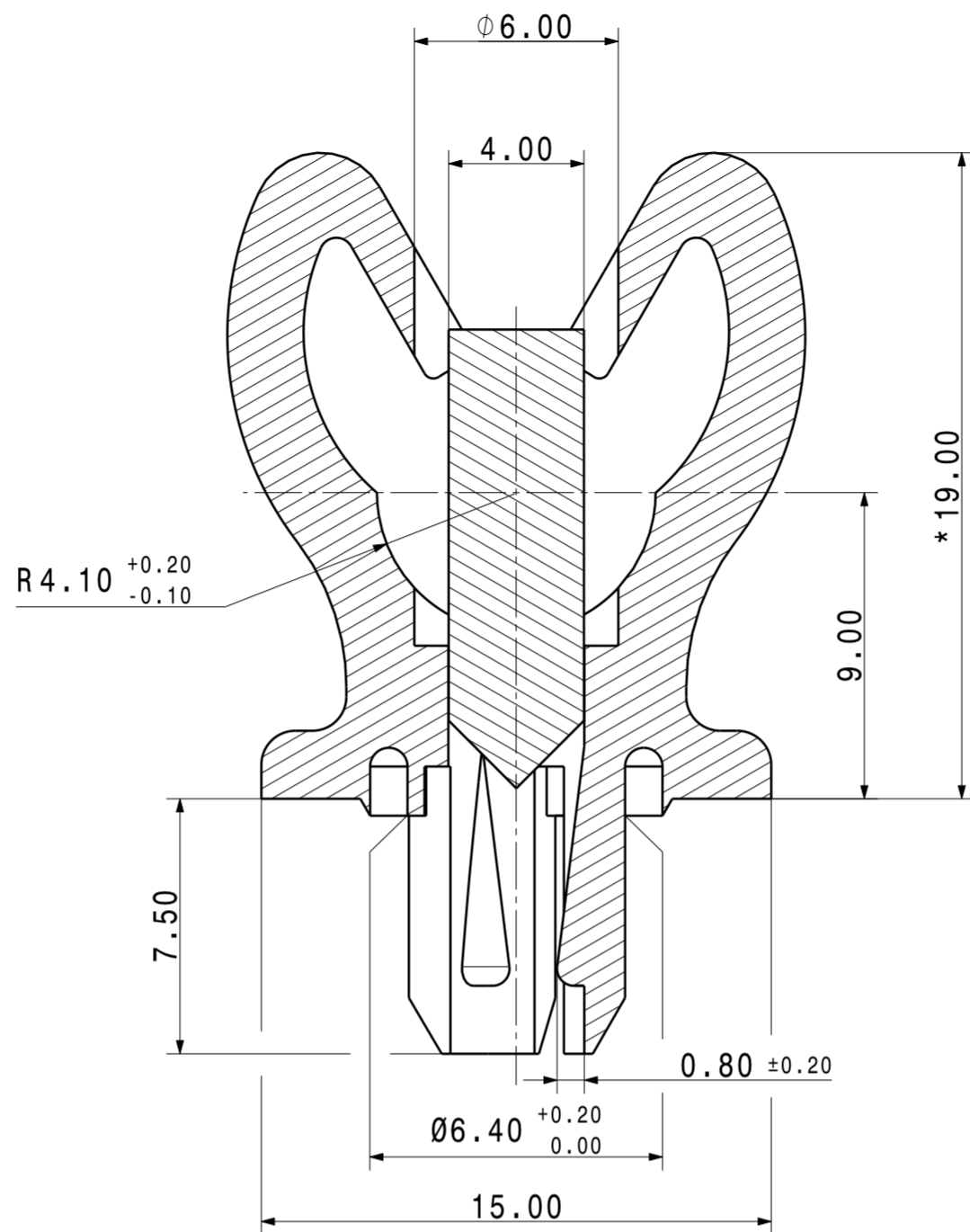


Variant	Matière / Material	Traitement / Material treatments	Finition / Finishes
02	POMC 0720 Naturel Hostaform S9064 XAP	REPRISE D'HUMIDITE 2% MINI 2% mini of Humidity rework	Naturel Natural
03	PA66 20 Noir Radilon AUSZ 200 333 Noir	Sans Without	Noir Black
04	PA4.6 Noir Stanyl TW 300 Noir	REPRISE D'HUMIDITE 2% MINI 2% mini of Humidity rework	Noir Black
05	PA12 P0 Naturel Rilsan AMNO TLD	Sans Without	Naturel Natural
06	PA12 P0 Naturel Rilsan AMNO TLD	Sans Without	Jaune Yellow
07	PA12 P20 Naturel Rilsan AMNO P20 TLD	Sans Without	Noir Black
08	PA6 00 Naturel Radilon SHS 100P Nat	REPRISE D'HUMIDITE 2% MINI 2% mini of Humidity rework	Noir Black
09	PA6 20 Naturel Ultradid B3L incolore	Sans Without	Naturel Natural
10	PA6 00 Naturel Radilon SHS 100P Nat	REPRISE D'HUMIDITE 2% MINI 2% mini of Humidity rework	Naturel Natural



LES COTES (*) SONT A CONTROLER AVEC UNE
PIGE Ø8.20h8 MIS EN PLACE DANS
SON LOGEMENT CORRESPONDANT.
(*) DIMENSIONS HAVE TO BE CHECKED
WITH GAUGE SET Ø8.20h8
PLACE IN THE HOLE ITS CORRESPONDING

REV.	Quant.	Indice / revision description	Date	GPA	Name
Fd	-	UPDATED DRAWING	23.02.12		GPA
<p>ARaymond</p> <p>113 cours Berriat BP 157 France - 38019 Grenoble cedex 1 Tel +33 (0) 4 76 33 49 49 Fax +33 (0) 4 76 78 20 50</p> <p>Si problème de compréhension, merci de demander la version française à ARaymond avant toute utilisation. "CONDITIONS OF USE" This drawing and all information (the "Drawing") disclosed are the exclusive property of A.Raymond. By using this Drawing the Addressee acknowledge and accept that this Drawing (1) is covered by A.Raymond intellectual property rights or Know-how and (2) is provided under the following conditions who represent a Deposit Agreement. This Drawing is for Addressee internal use only limited to its estimation. Without prior written consent of A.Raymond, no permission or rights for any purpose, is hereby granted, such as, without any limitation, (1) the copy, in part or entirely, (2) and/or the presentation, in part or entirely, to any other third party outside the Addressee company or in the company but with no interest (3) and/or the distribution of the Drawing, in part or entirely, in any medium (4) and/or the creation of any derivative work. In case of breach of these conditions, Addressee shall indemnify A.Raymond from and against all damages (compensatory or consequential, costs, expenses and charges, caused or arising out of or attributable to its willful misconduct, fraud, negligence, infringement of A.Raymond Intellectual Property rights. If the Addressee does not accept these conditions, please notify A.Raymond sender immediately.</p>					
Brevets / Patent rights					Classification code
N° Projet / Project No.					BADB-
Origine / Origin		Chef de projet / Project Manager		AILHAS.F	
Echelle / scale	Format	Tolerance / General tolerance	Date	11.02.1974	
5:1	A2	± 0.50 ± 5.00°	Realise / Prepared by	PAULIN.G	
ALL DIMENSIONS ARE IN MILLIMETERS			Approuve / Approved	20120223152626	
Epaisseur / Mat. thickness		Volume (mm³)	Poids / Weight (g)	151,3 0,2	
Finition / finish					Code finition finish code
Voir nomenclature See parts list					-
Traitement structural / Material treatment					
Voir nomenclature See parts list					
Matière / Material					Mat. code
Voir nomenclature See parts list					-
Libelle / Title					
Support tube Ø8.00 a Ø10.00mm Pipe clip Ø8.00 In Ø10.00mm					
Reference /Part no.				Drawing type	
063571-0-02				C:Customer	
Ref. client / Customer part no.					Planche / Sheet
					1/1
CAD system & version			Non fichier / File name		
CATIA V5 R19 SP7			063571-0C02		

VERIFIER L ECHELLE APRES PHOTOCOPIE / BEWARE SCALE AFTER COPY