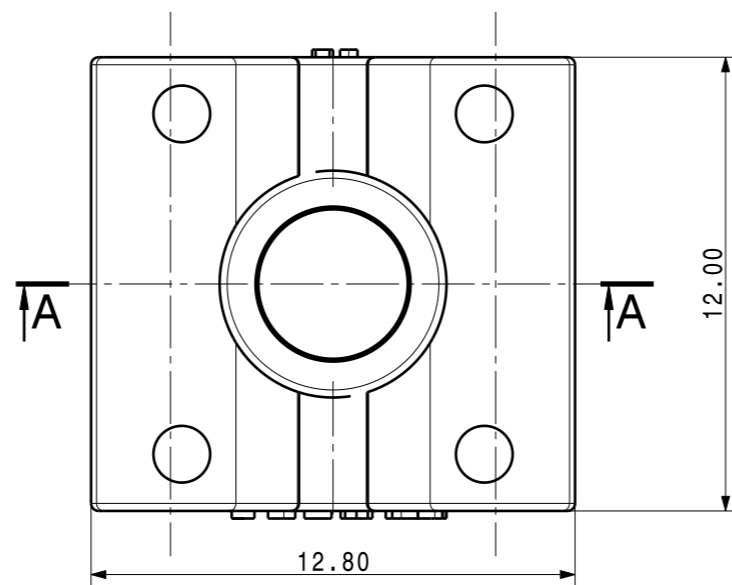
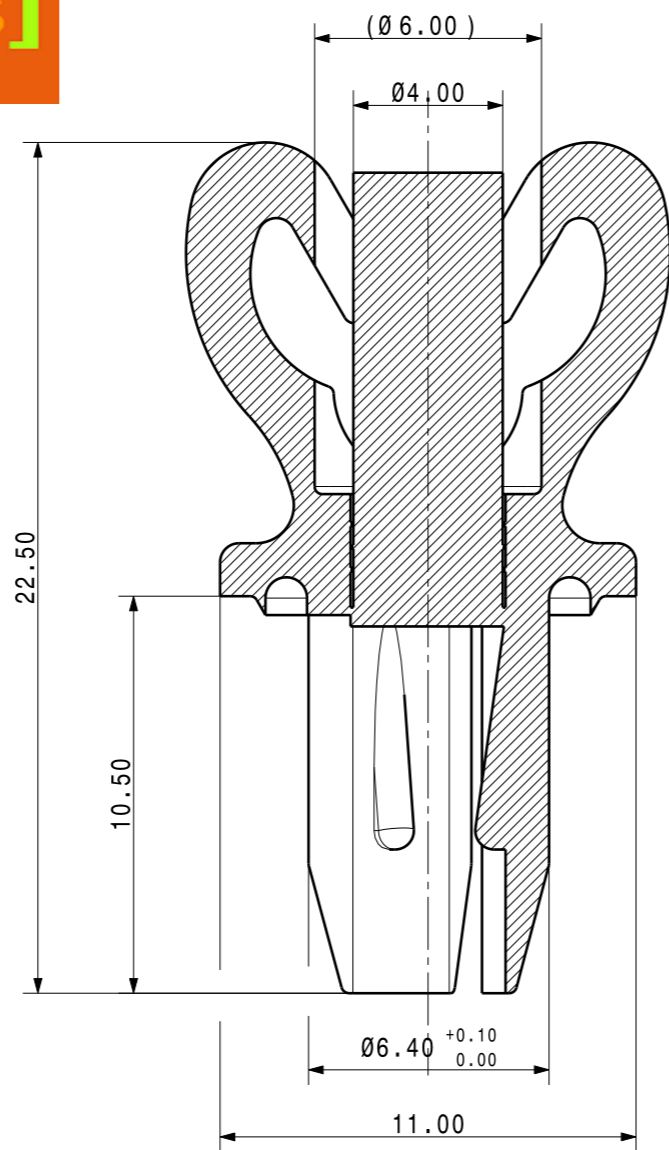
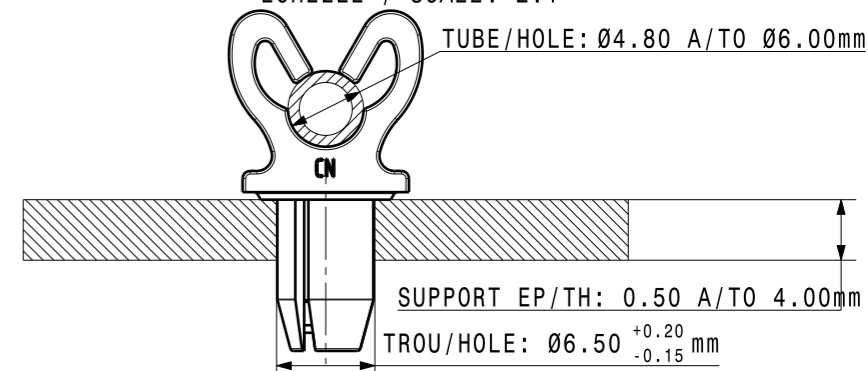


COUPE A-A / CUT A-A



Une consultation préalable de A.Raymond SARL est nécessaire pour toute mise en place de la pièce en automatique.
 Automatic processing of the part requires prior consultation with A.Raymond SARL.

EXEMPLE D'UTILISATION / USE CONDITION
 ECHELLE / SCALE: 2:1



ARaymond

113 cours Berriat BP 157
 France - 38019 Grenoble cedex 1
 Tel +33 (0) 4 76 33 49 49
 Fax +33 (0) 4 76 78 20 50

Si problème de compréhension, merci de demander la version française à ARaymond avant toute utilisation.

"CONDITIONS OF USE"

This drawing and all information (the "Drawing") disclosed are the exclusive property of A.Raymond. By using this Drawing the Addressee acknowledges and accepts that this Drawing (1) is covered by A.Raymond intellectual property rights or know-how and (2) is provided under the following conditions which represent a Deposit Agreement. This Drawing is for Addressee internal use only limited to its estimation. Without prior written consent of A.Raymond, no permission or rights for any purpose, is hereby granted, such as, without any limitation, (1) the copy, in part or entirely (2) and/or the presentation, in part or entirely, to any other third party outside the Addressee company or in the company but with no interest (3) and/or the distribution of the Drawings, in part or entirely, in any medium (4) and/or the creation of any derivative work. In case of breach of these conditions, Addressee shall indemnify A.Raymond from and against all damages (compensatory or consequential), costs, expenses and charges, caused or arising out of or attributable to its willful misconduct, fraud, negligence, infringement of A.Raymond Intellectual Property rights. If the Addressee does not accept these conditions, please notify A.Raymond sender immediately.

Brevets / Patent rights Classification code **BADB-**

N° Projet / Project No. Origine / Origin **064697-0-Ac** Chef de projet / Project Manager **PAULIN.G**

Echelle / scale **5:1** Format **A3** Tolerance / General tolerance Dimension Angle $\pm 0.50 \pm 5.00^\circ$ Date Realise / Prepared by **PAULIN.G**

ALL DIMENSIONS ARE IN MILLIMETERS Approuve / Approved 20130211150209 Epaisseur / Mat. thickness - Volume (mm³) **1112** Poids / Weight (g) **1,5**

Finition / finish **Noir Black** Code finition finish code -

Traitement structural / Material treatment **Sans Without**

Matiere / Material **POMC 0720 Noir Ultraform N2640 Z4 Noir** Mat. code -

Libelle / Title **Support tube Pipe clip**

Reference / Part no. **064697-0-01** Drawing type **C:Customer**

Ref. client / Customer part no. Planche / Sheet **1/1**

CAD system & version **CATIA V5 R19 SP9** Nom fichier / File name **064697-0C01**

REV.	Quant.	Indice / revision description	Date	Name
Am	-	INDUSTRIALIZATION UPDATE	11.02.13	GPX
Al	-	UPDATED DRAWING	07.02.13	GPA
Ak	-	UPDATING DRAWING	22.07.11	GPA

VERIFIER L ECHELLE APRES PHOTOCOPIE / BEWARE SCALE AFTER COPY

