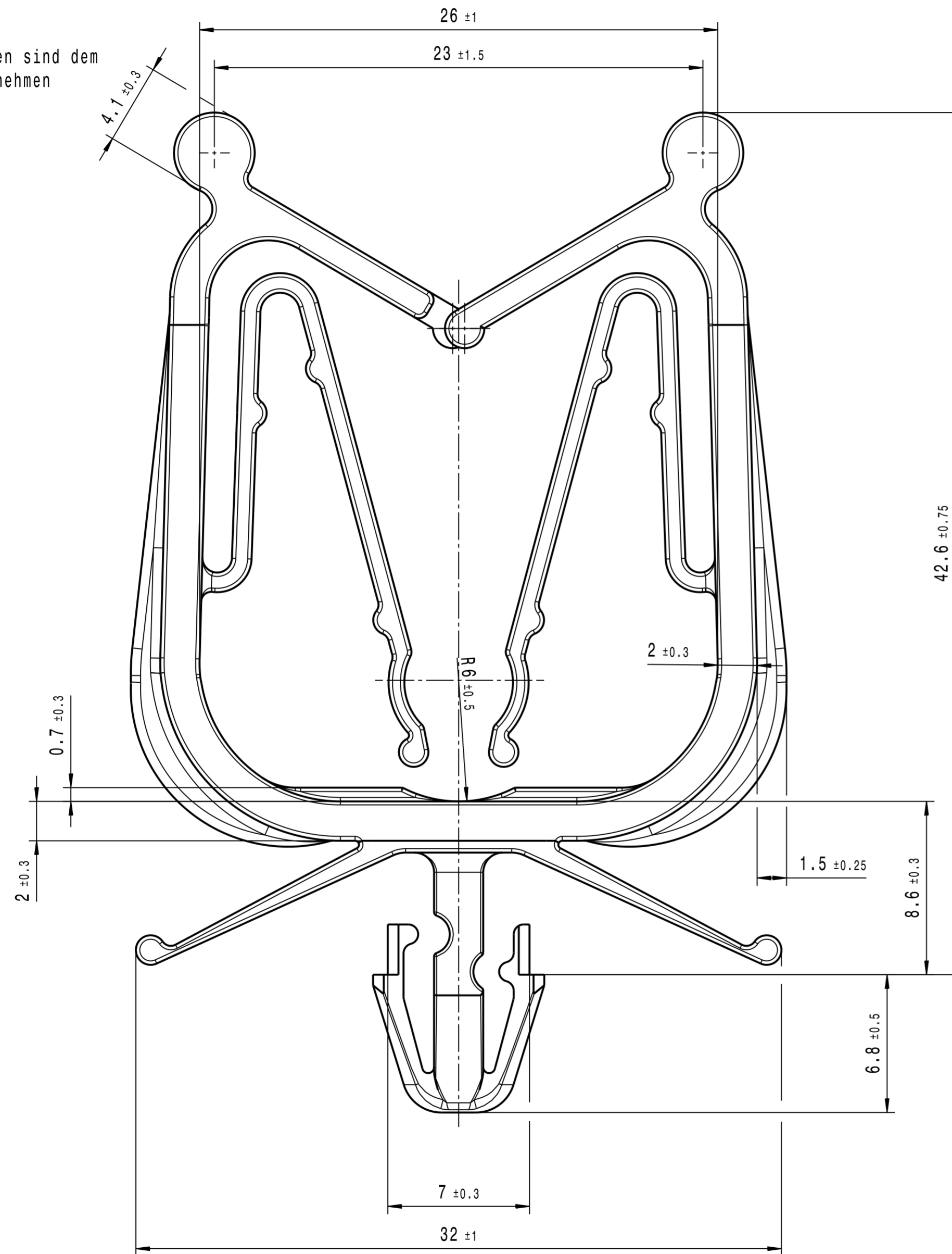


**Kennzeichnung: / Identification:**

Hersteller-Land VW 105 50 - Germany  
 Mfr.-country  
 Hersteller - Code VW 105 40 - RAY  
 Mfr. - Code  
 Teil - Nr.; Schrift DIN 1451  
 Pt. - No.; Lettering  
 Werkstoff - Code VDA 260 > POM <  
 Material - Code

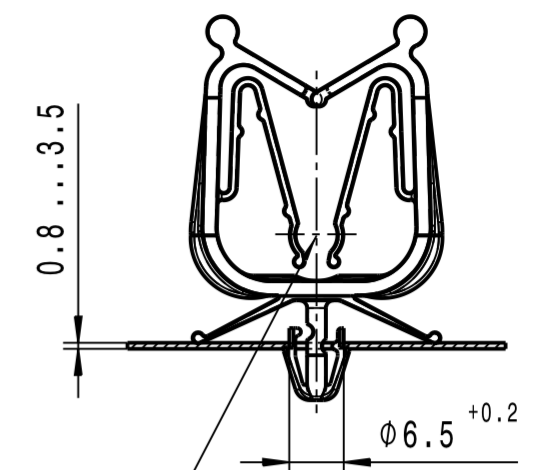
Unbemaste Geometrien sind dem 3D-Datensatz zu entnehmen  
 Undimensioned geometry must be taken from 3D-data



**Einbausituation**

Assembly situation

1:1



passend fuer Kabel-Ø5...Ø20  
 applicable for cable-diameter 5...20

Rev.	Anzahl/quantity	Aenderungsbeschreibung / modification description	Datum/date	Name
Ca	-	Zeichnung ueberarbeitet nach AR- Gruppenstandard, Teil unveraendert	12.07.12	JN

**ARaymond**  
 A RAYMOND GmbH & Co.KG  
 Teichstrasse 57  
 Germany - 79511 Loerrach  
 Phone +49 (0) 7621 174-0  
 Fax +49 (0) 7621 174-2 25

Bei Versandproblemen beantragen Sie bitte beim Absender die deutsche Fassung vor jeder Anwendung.  
**"CONDITIONS OF USE"**  
 This drawing and all information (the "Drawing") disclosed are the exclusive property of ARaymond. By using this Drawing the Addressee acknowledges and accepts that this Drawing (1) is covered by ARaymond Intellectual Property rights or know-how and (2) is provided under the following conditions who represent a Deposit Agreement. This Drawing is for Addressee internal use only limited to its estimation. Without prior written consent of ARaymond, no permission or rights for any purpose, is hereby granted, such as, without any limitation, (1) the copy, in part or entirely, (2) and/or the presentation, in part or entirely, to any other third party outside the Addressee company or in the company but with no interest (3) and/or the distribution of the Drawing, in part or entirely, in any medium (4) and/or the creation of any derivative work. In case of breach of these conditions, Addressee shall indemnify ARaymond from and against all damages (compensatory or consequential, costs, expenses and charges, caused or arising out of or attributable to its willful misconduct, fraud, negligence, infringement of ARaymond Intellectual Property rights, if the Addressee does not accept these conditions, please notify ARaymond sender immediately.

Intellectual Property rights	vorbehalten / all rights reserved		Classification Code	BADA-
Ersatz fuer/ substitute for	16 007_c Index 3 21.10.91	Entw.Ref./ dev.ref.	Projekt-Nr./ project no.	
Masstab/ scale	5:1	Allgemeintoleranz/ general tolerance	Datum/ date	12.07.2012
Format	A2	Erstellt von/ prepared by	J.Nagel	
Projektion / projection	ALL DIMENSIONS ARE IN MILLIMETERS	Freigegeben/ approved	20120712101437	
Blechkicke/ sheet thickness	DIN EN 10140	Volumen/ volume (mm³)	4378,084	Gewicht/ weight (g) 6,173

Oberfl./ finish  
 Werkstoffbehandl./ material treatment  
 Werkstoff/ material POM C Standard  
 Mat. code 5003

Benennung/ title  
**Kabelhalter**  
**hose clip**

Teil-Nr./ part no.	016007-0-00	Drawing type	C:Customer
Kundenteile-Nr. / customer part no.	XXXXXXXXXX	Blatt / sheet	1 / 1
CAD system & version	CATIA V5 R19	Dateiname / filename	016007-0c00



016007-0-00	schwarz black	SW	7000
Teil-Nummer / Part-no.	Oberflaeche / Farbe / Finish / colour	Kennzahl / Code number	Ausfuhrung / Execution